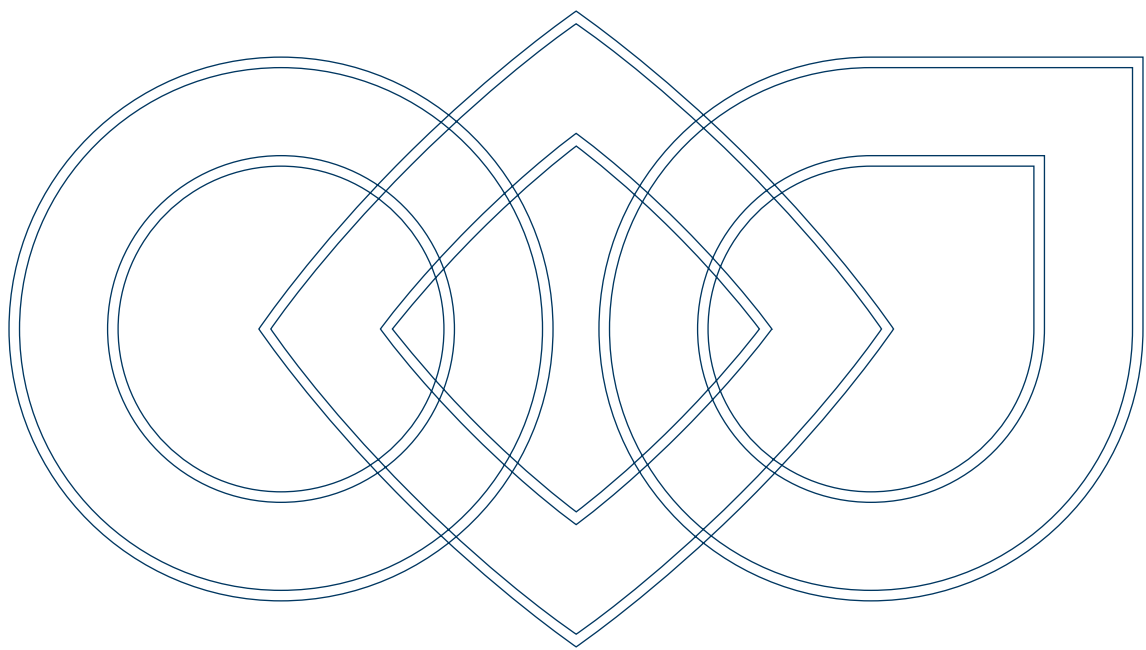




Solutions for
Mining



SECTOR



THE **BROADEST RANGE OF SOLUTIONS FOR THE MINING INDUSTRY**

Thanks to decades of experience in developing customized solutions for the most demanding mining applications around the world, Bonfiglioli is able to offer its customers a wide, complete and adapted range of solutions.

From crushing to slurry processes to earth moving applications, our team of experts is designing and creating integrated solutions that perfectly match the harsh and dusty environments typical of mining applications.

Bonfiglioli final drive, gearbox, geared motor or motion and control solutions are recognized on the market by worldwide leading players, with whom we've been working for decades. Today, our range of products is one of the broadest available in the world, with torque values from 13 Nm to 3 000 000 Nm.

BONFIGLIOLI HAS ALL THE EXPERIENCE NEEDED TO SUPPORT THE FOLLOWING MINING PROCESSES:



Crushing, Grinding & Material Handling

Page 6 to 9



Slurry Processing

Page 10 to 13



Earth-Moving Processes

Page 14 to 17

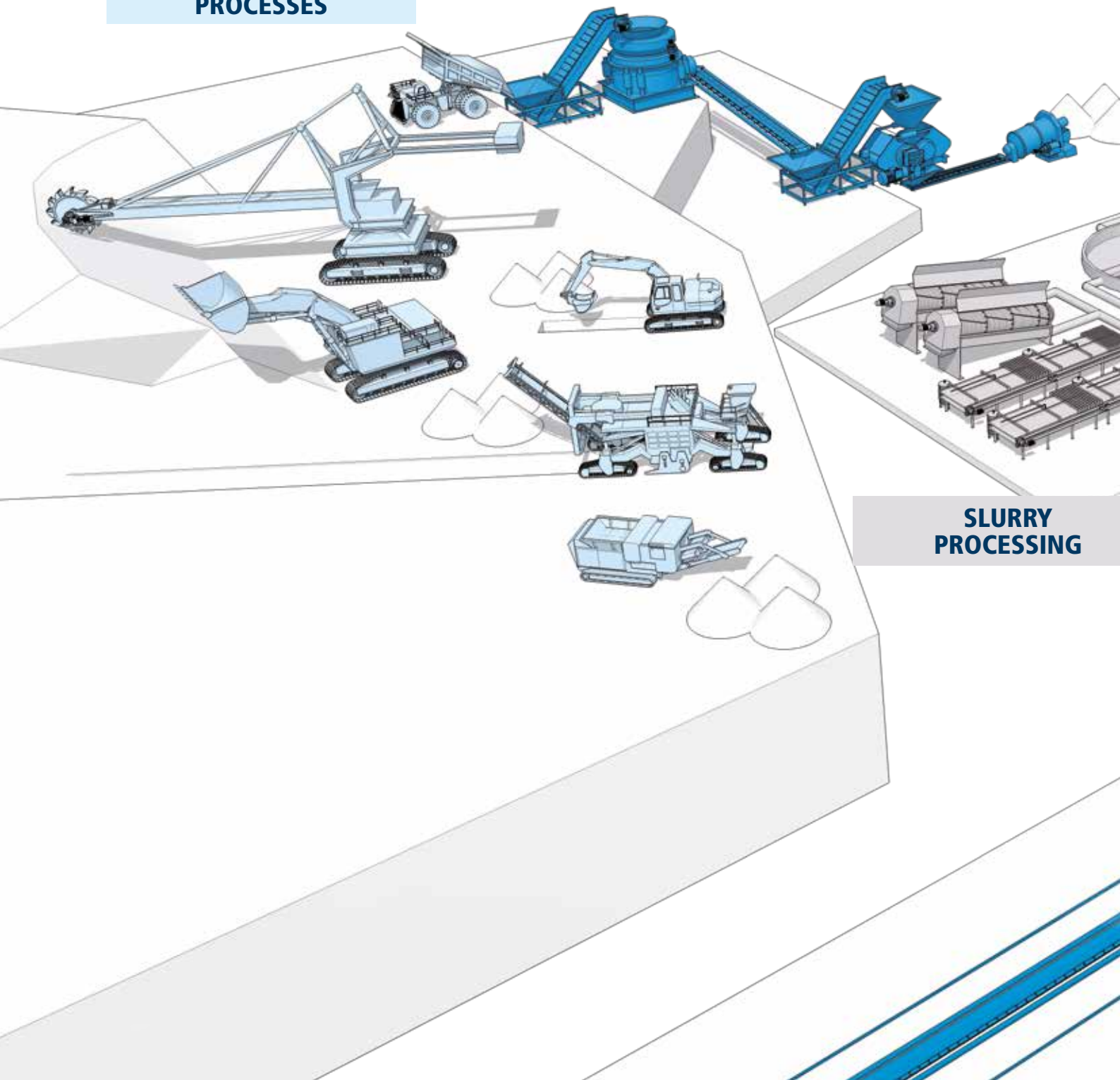


PRODUCTS FOR ALL TYPES OF MINING EQUIPMENT:

- Hydraulic shovel excavators
- Electric or hybrid rope shovel excavators
- Bucket wheel excavators
- Dump trucks with diesel-electric driveline
- Crushers and screeners
- Mining stackers
- Belt wagons
- Conveyors - Systems & belt drives
- Conveyors - Systems & mobile transfer drives
- Blast hole drills
- Surface miners
- Underground mining equipment

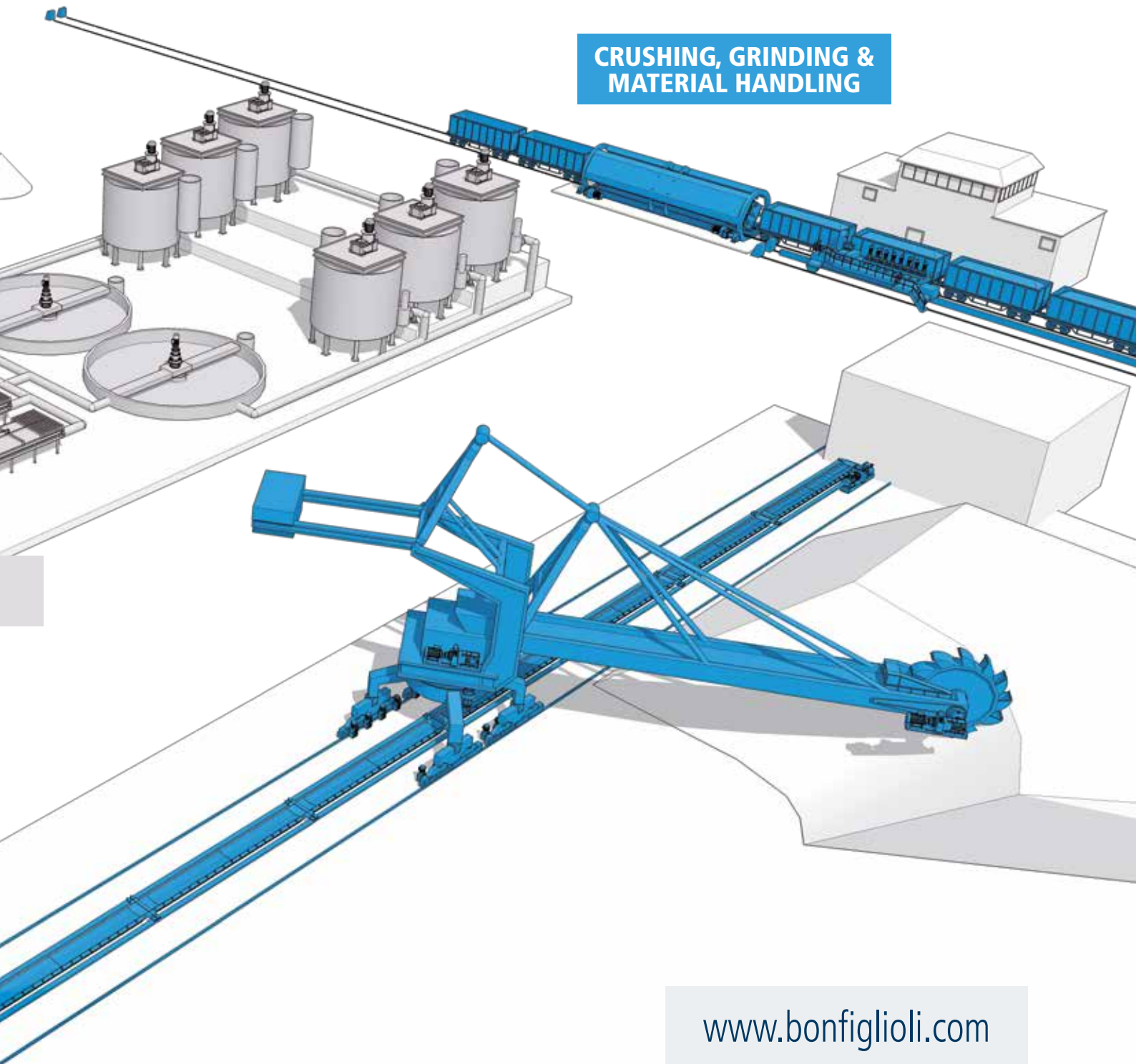
EXAMPLES OF SOLUTIONS WE PROVIDE FOR MINING PROCESSES

EARTH-MOVING PROCESSES



SLURRY PROCESSING

**CRUSHING, GRINDING &
MATERIAL HANDLING**



EXAMPLES OF SOLUTIONS WE PROVIDE FOR CRUSHING, GRINDING & MATERIAL HANDLING

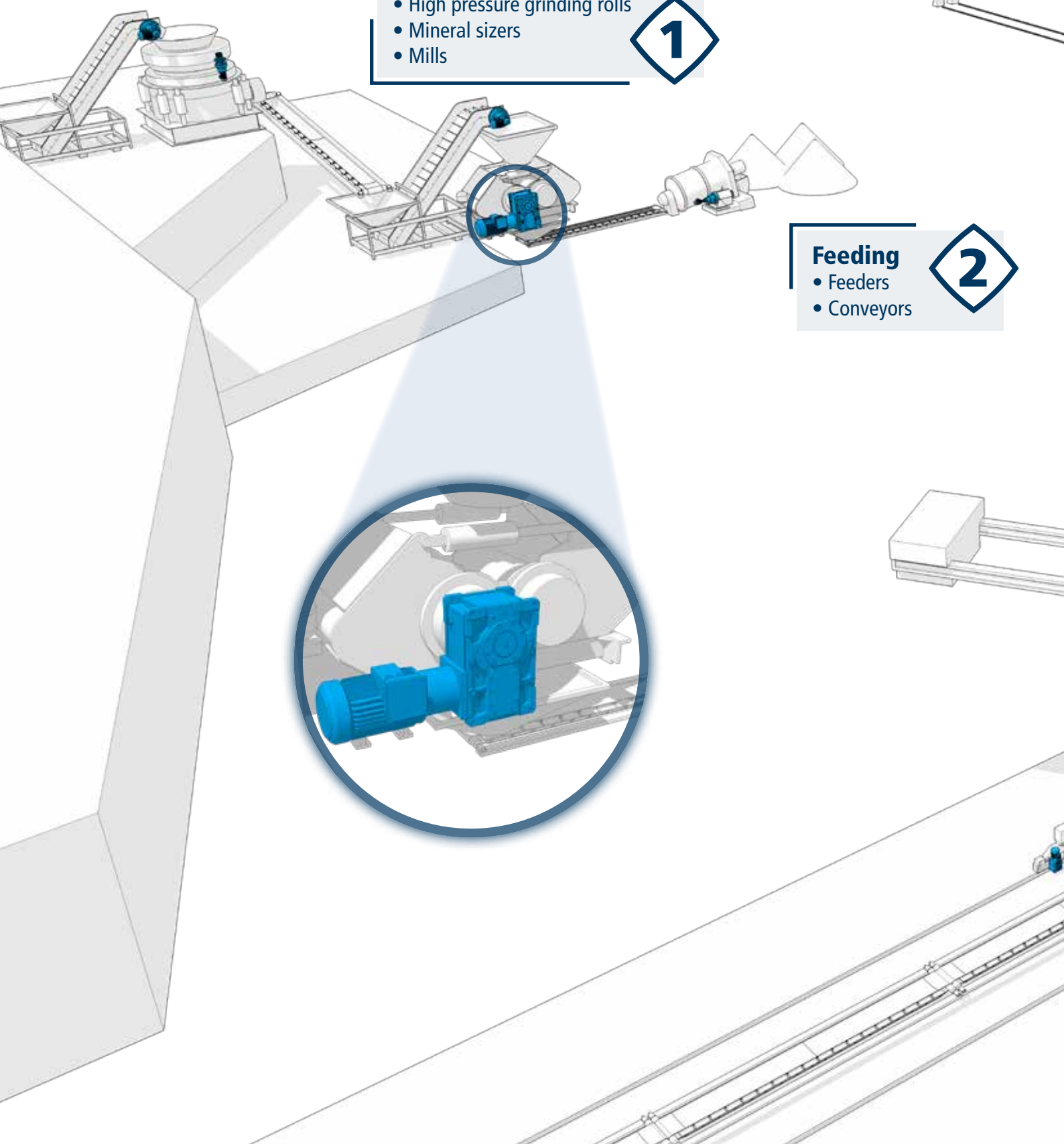
Crushing

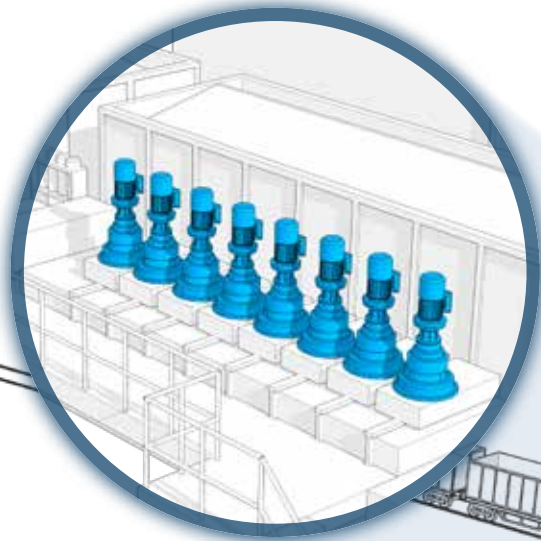
- Crushers
- High pressure grinding rolls
- Mineral sizers
- Mills



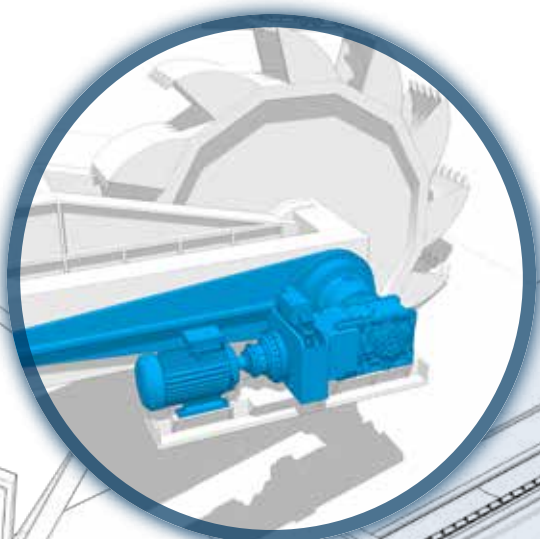
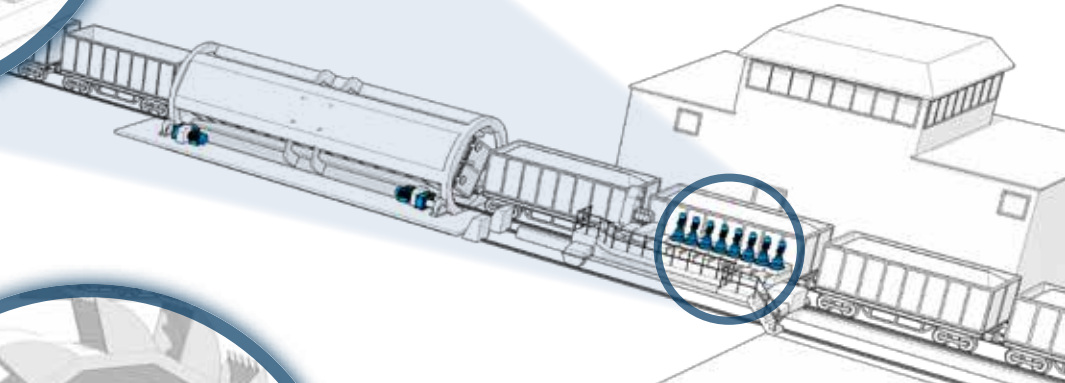
Feeding

- Feeders
- Conveyors



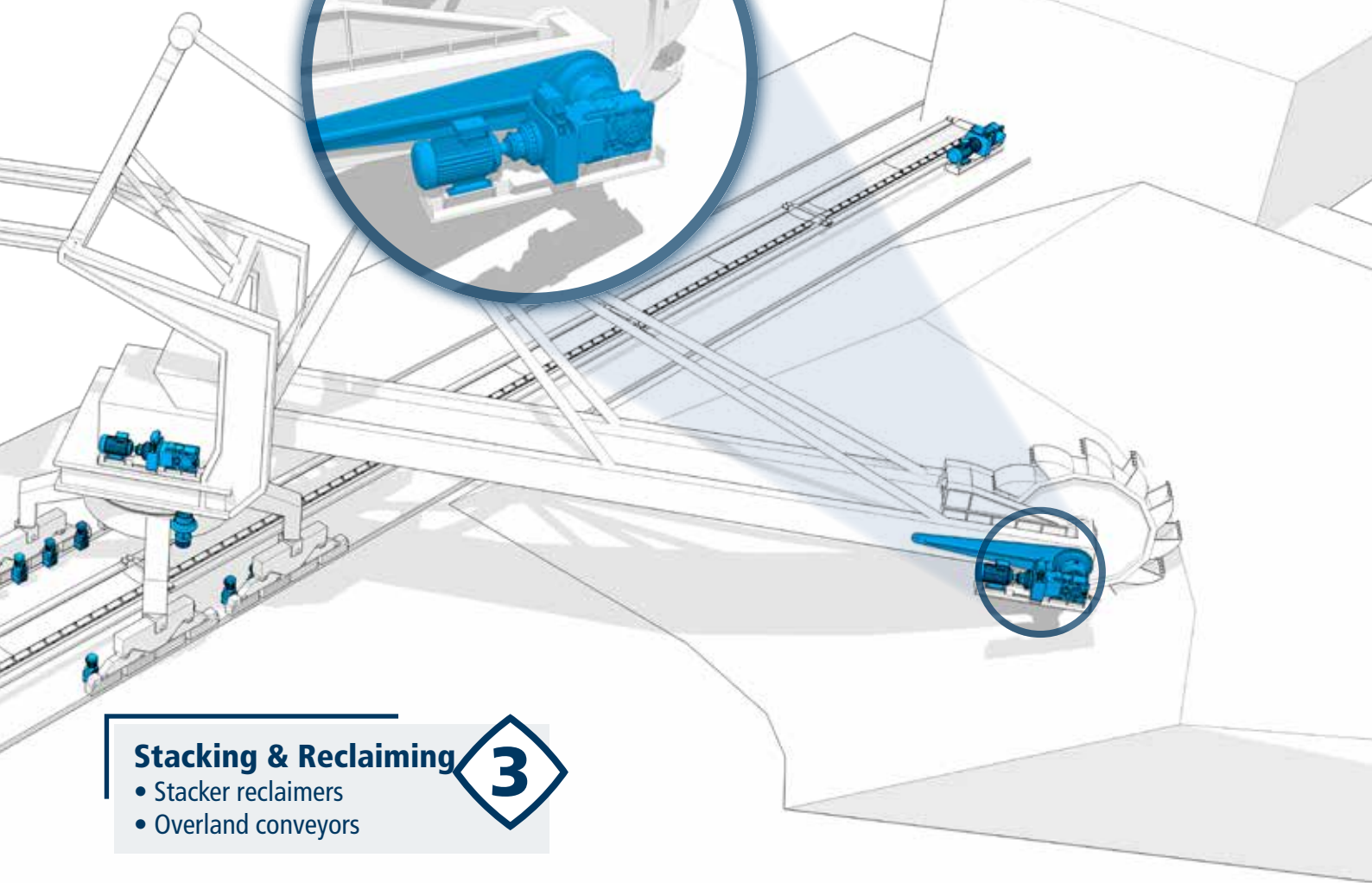


**Unloading
Car Dumpers**



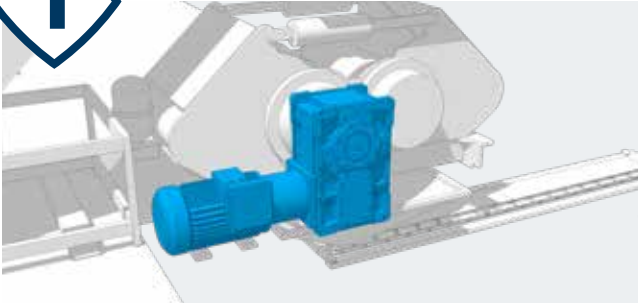
Stacking & Reclaiming

- Stacker reclaimers
- Overland conveyors



EXAMPLES OF SOLUTIONS WE PROVIDE FOR CRUSHING, GRINDING & MATERIAL HANDLING

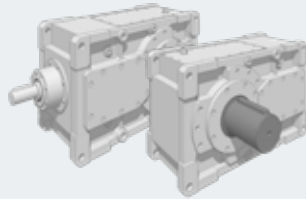
1



Crushing

Crushing & Grinding solutions

HDO/HDP - Heavy duty gearbox and geared motor



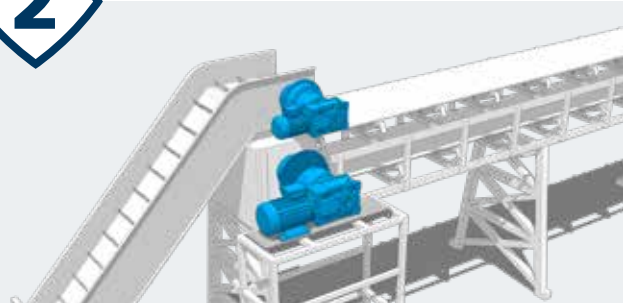
BENEFITS

- Compact layout solution
- Easy gearbox installation (shaft mounting option)
- Highly transmissible power
- Cooling-system free
- Wide range of temperature & working condition

FEATURES

- 14 gearbox sizes
- Modular design
- Torque up to 210 000 Nm

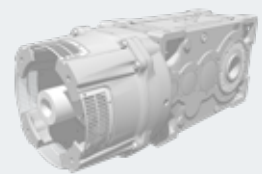
2



Feeding

Feeders & Conveyors solutions

HDO - Heavy duty gearbox and geared motor (Bevel-Helical)



BENEFITS

- One-stop-shop for a complete drive solution
- E-motor alignment free solution & free base frame
- Reliable, free maintenance and integrated cooling system
- Extended lifetime & reliability
- Highly transmissible power

FEATURES

- Extended bearing lifetime
- Torque range up to 210 000 Nm
- Strengthened E-motor input flange with integrated fan and coupling
- Wide range of options
- Integrated forced oil lubrication option
- Torque arm, coupling, brake, motor

Active Cube - Premium Inverter



BENEFITS

- High power density
- Water cooling provides increased life-time application
- Cost-effective solution

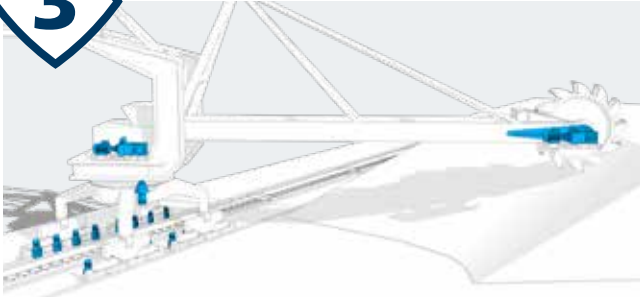
FEATURES

- Energy saving functions
- Motor temperature monitoring
- Ready for liquid cooling option

STANDARD GEARBOXES AND GEARED MOTORS FEATURES FOR MINING APPLICATIONS:

Taconite seals, C4 or C5 surface protection according to ISO 12944-2, oil heaters, greasers and sensors, heavy duty oil breather, IP56 degree of protection, thermal protective devices (thermistors and thermostats), anti-condensate heaters, tropicalized windings.

3



Stacking & Reclaiming Stacker Reclaimer solutions

Slew drive: **300M** - Planetary gearbox and geared motor



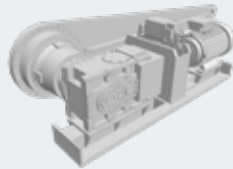
BENEFITS

- Hydraulic or electric motor input solution
- Integration with negative brake
- High overload capacity
- Torque control
- Easy installation

FEATURES

- Reinforced bearing output shaft
- Eccentric mounting flange option for pinion /girth gear adjustment
- Shock load up to 2 000 000 Nm
- Encoder and integrated load cell
- Base frame, coupling, brake, motor
- Oil expansion tank & oil level switch

Bucket wheel drive: **3/H** - Gearbox and geared motor



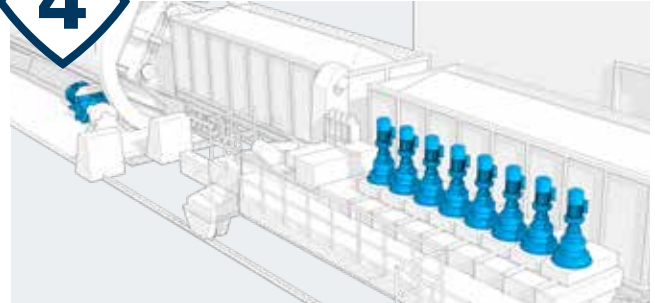
BENEFITS

- One-stop shop for a complete drive solution
- Extended oil service interval
- Maintenance free cooling device solution
- High overload capacity
- Highly transmissible torque and power

FEATURES

- Modular design
- Shock load up to 2 000 000 Nm
- Increased bearing load capability
- Wide range of options
- Integrated forced oil lubrication
- Torque arm, base frame, coupling, brake, motor

4



Unloading Car Dumper solutions

Train positioner drive: **300M** - Planetary gearbox and geared motor



BENEFITS

- Highly transmissible torque and power
- Compact design
- Cooling-system free
- Integrated brake solution
- Wide range of temperature & working condition

FEATURES

- New e-motor flange with integrated fan
- Increased bearing load capability
- Dedicated design for disk brake integration
- Nominal torque up to 1 300 000 Nm
- Modular design
- Oil expansion tank & oil level switch

Active Cube - Premium Inverter



BENEFITS

- High power density
- Water cooling provides increased life-time application
- Cost-effective solution

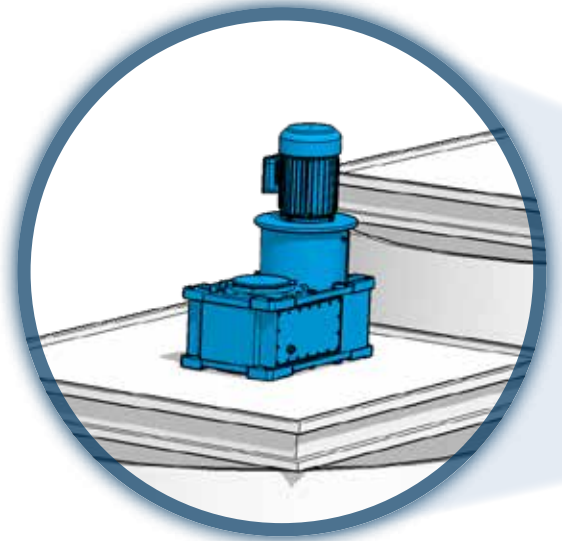
FEATURES

- Energy saving functions
- Motor temperature monitoring
- Ready for liquid cooling option

STANDARD GEARBOXES AND GEARED MOTORS FEATURES FOR MINING APPLICATIONS:

Taconite seals, C4 or C5 surface protection according to ISO 12944-2, oil heaters, greasers and sensors, heavy duty oil breather, IP56 degree of protection, thermal protective devices (thermistors and thermostats), anti-condensate heaters, tropicalized windings.

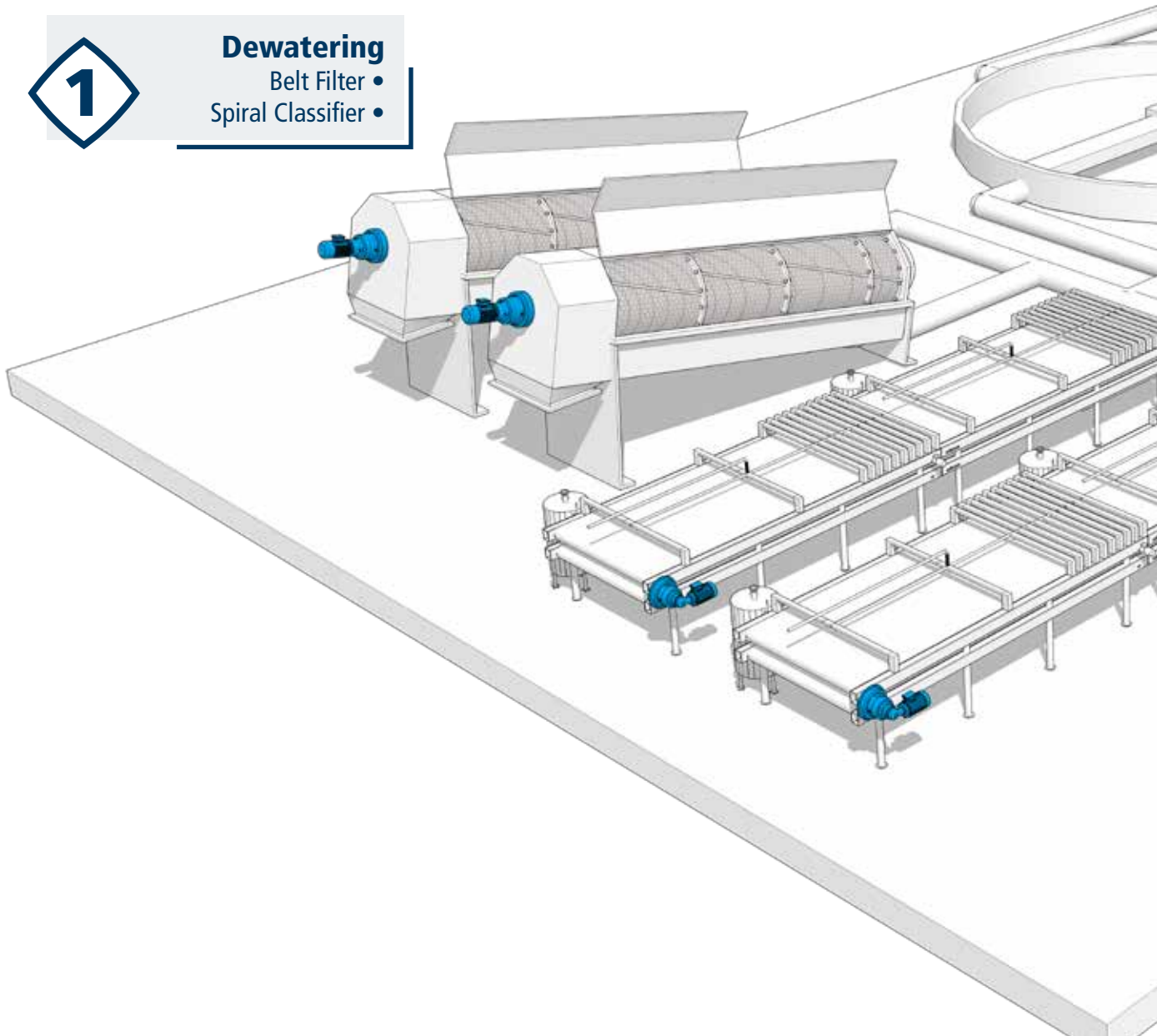
EXAMPLES OF SOLUTIONS WE PROVIDE FOR SLURRY PROCESSING



1

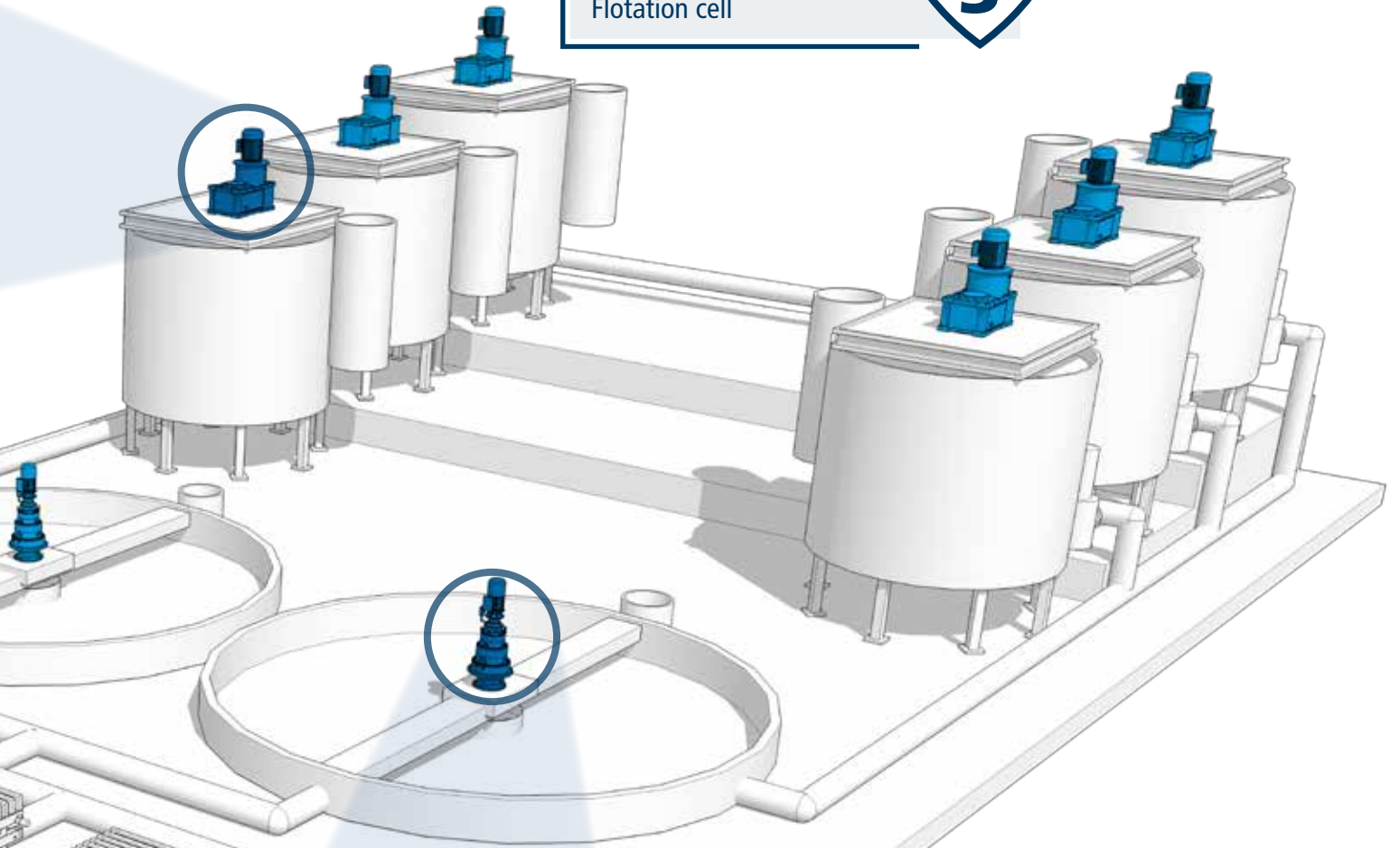
Dewatering

- Belt Filter •
- Spiral Classifier •



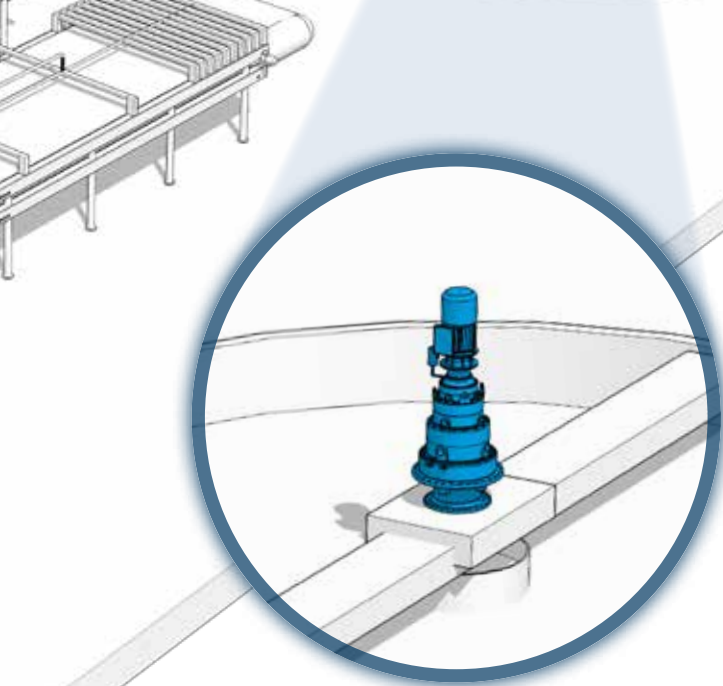
Flotation
Flotation cell

3

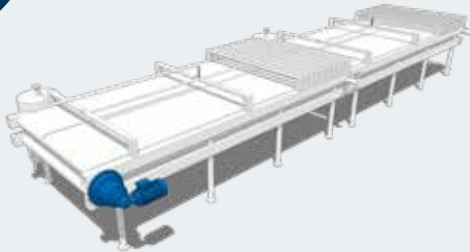


Thickening
Thickener

2

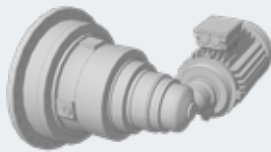


EXAMPLES OF SOLUTIONS WE PROVIDE FOR SLURRY PROCESSING



Dewatering Belt Filter solutions

300M - Planetary gearbox and geared motor

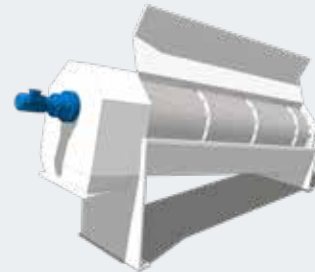


BENEFITS

- One-stop-shop for a complete drive solution
- High flexibility in layout and mounting positions
- High resistance in harsh & dusty ambient conditions
- High torque density
- Wide range of working temperature working conditions

FEATURES

- 20 gearbox sizes
- Nominal torque up to 1 300 000 Nm
- Modular design
- Increased bearing load capability
- Shaft gearbox mounting
- Torque arm



Dewatering Spiral Classifier solutions

300M - Planetary gearbox and geared motor



BENEFITS

- One-stop-shop for a complete drive solution
- High flexibility in layout and mounting positions
- High resistance in harsh & dusty ambient conditions
- High torque density
- Wide range of working temperature working conditions

FEATURES

- 20 gearbox sizes
- Nominal torque up to 1 300 000 Nm
- Modular design
- Increased bearing load capability
- Flange gearbox mounting

STANDARD GEARBOXES AND GEARED MOTORS FEATURES FOR MINING APPLICATIONS:

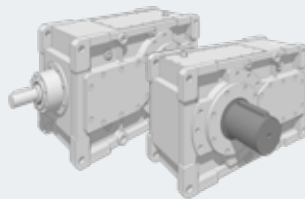
Taconite seals, C4 or C5 surface protection according to ISO 12944-2, oil heaters, greasers and sensors, heavy duty oil breather, IP56 degree of protection, thermal protective devices (thermistors and thermostats), anti-condensate heaters, tropicalized windings.

2



Flotation
Flotation Cell solutions

HDP/HDO - Heavy duty gearbox and geared motor



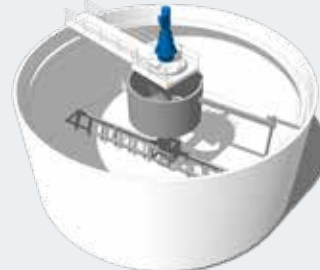
BENEFITS

- Air flow inlet and through hole prearrangement on output shaft
- Enhanced oil leak protection
- High radial & axial load capability on output shaft
- Extended lifetime & reliability
- Highly transmissible power

FEATURES

- Reinforced bearing and extended span on output shaft
- Drywell
- Modular design
- Integrated forced oil lubrication
- Back stop device

3



Thickening
Thickener solution

300M - Planetary gearbox and geared motor



BENEFITS

- High shock load capability
- Extended lifetime & reliability
- Torque control

FEATURES

- Increased bearing load capability
- Integrated load cell
- Modular design
- Shock load up to 2 000 000 Nm
- Oil expansion tank & oil level switch

Active Cube -
Premium Inverter



BENEFITS

- High power density
- Water cooling provides increased life-time application
- Cost-effective solution

FEATURES

- Energy saving functions
- Motor temperature monitoring
- Ready for liquid cooling option

STANDARD GEARBOXES AND GEARED MOTORS FEATURES FOR MINING APPLICATIONS:

Taconite seals, C4 or C5 surface protection according to ISO 12944-2, oil heaters, greasers and sensors, heavy duty oil breather, IP56 degree of protection, thermal protective devices (thermistors and thermostats), anti-condensate heaters, tropicalized windings.

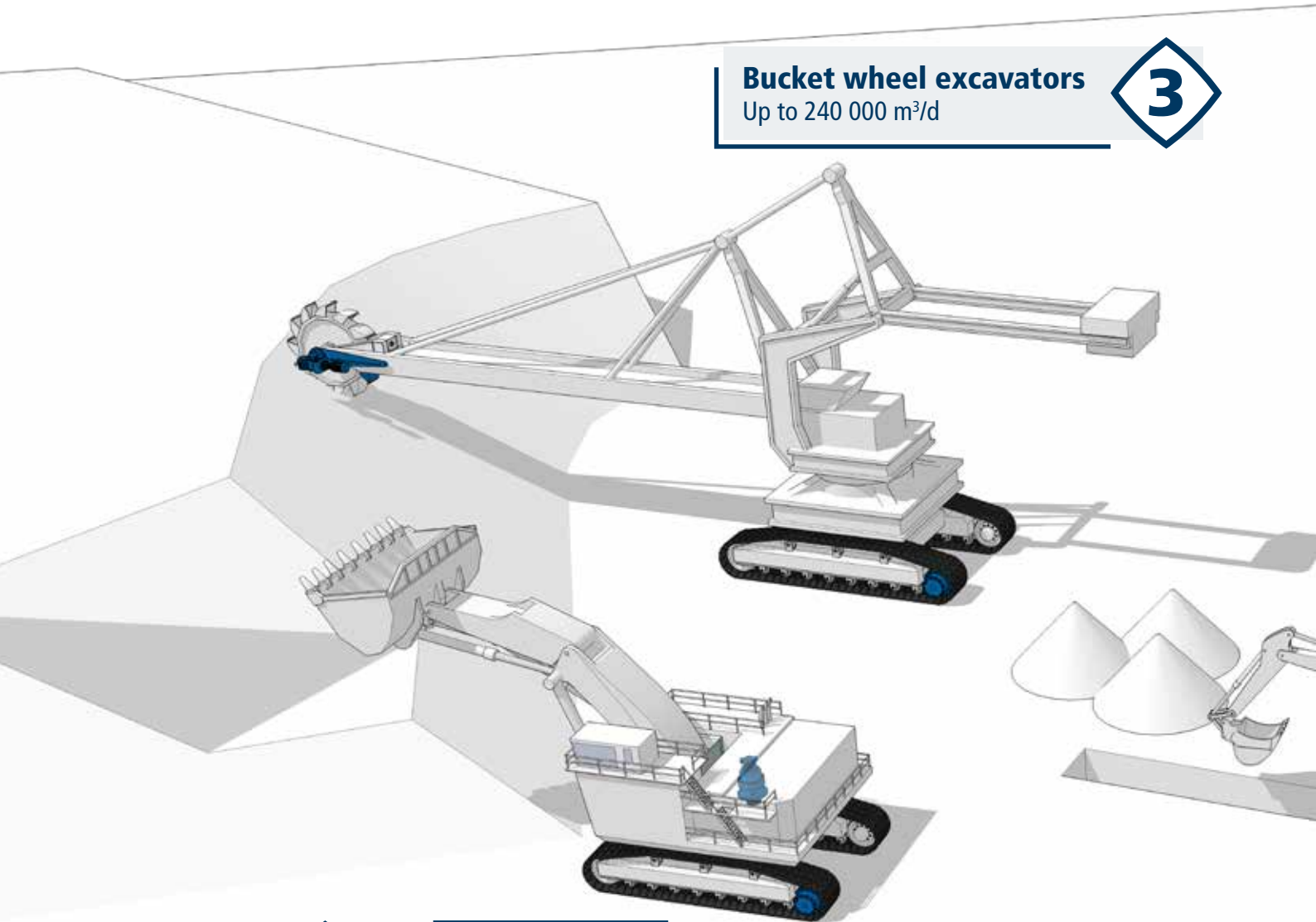
EXAMPLES OF SOLUTIONS WE PROVIDE FOR EARTH-MOVING PROCESSES

Bucket wheel excavators
Up to 240 000 m³/d

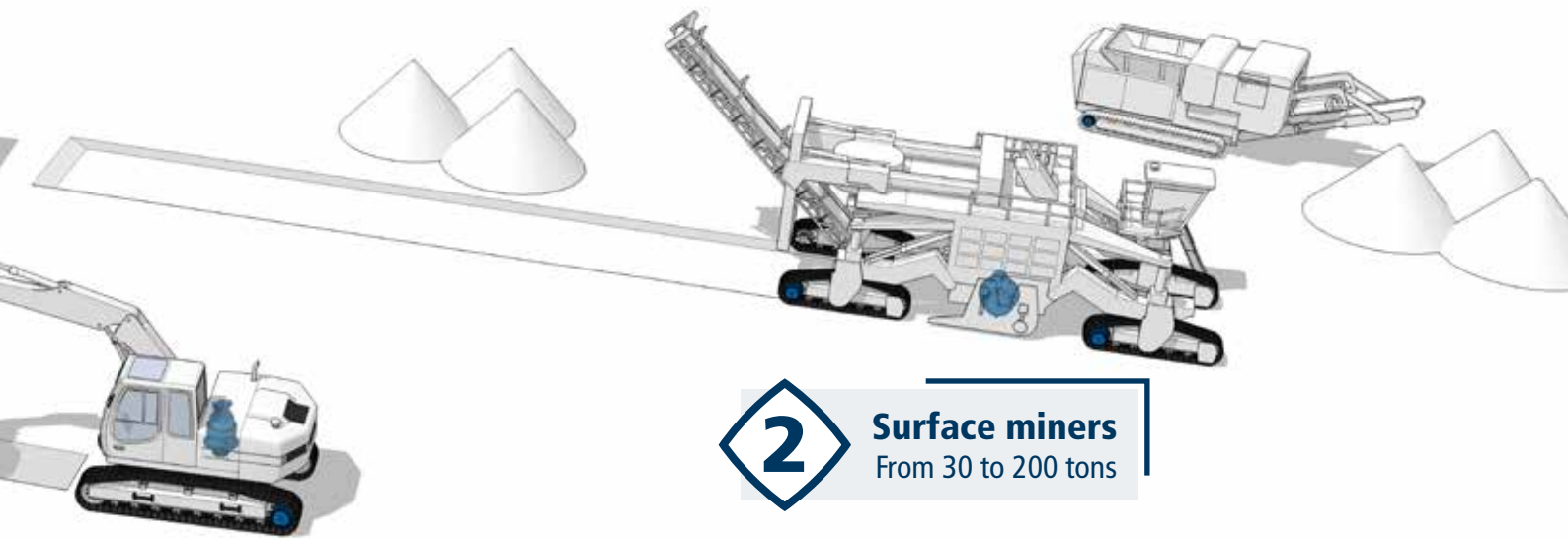
3

1

Large excavators
From 150 to 1 400 tons



4 **Jaw crushers**
From 30 to 80 tons



2 **Surface miners**
From 30 to 200 tons

EXAMPLES OF SOLUTIONS WE PROVIDE FOR EARTH-MOVING PROCESSES

1



Large excavators

From 150 to 1 400 tons

Travel drives

700C series



OUTPUT TORQUE
1 ... 625 kNm

GEAR RATIOS
5.3 ... 492

BENEFITS

- Power shift capability
- Compact solution
- High performance

F series



OUTPUT TORQUE
620 ... 2 916 kNm

GEAR RATIOS
249 ... 989

FEATURES

- Two gear shifting transmission
- Hydraulic controlled shifting
- Integrated parking & emergency brake
- Optional cooling flow to input stage and clutch unit
- Wide variety of ratio combinations

Slew drives

700T series



OUTPUT TORQUE
1 ... 80 kNm

GEAR RATIOS
3.4 ... 2 000

BENEFITS

- Compact structure
- Suitable for various hydraulic motors
- High performance

S series



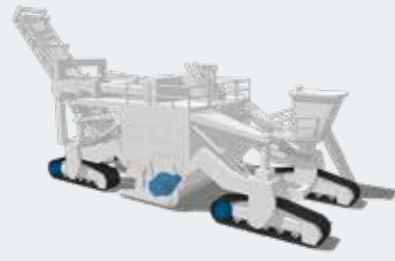
OUTPUT TORQUE
5.5 ... 130 kNm

GEAR RATIOS
23 ... 67

FEATURES

- Notchless ground tooth root
- Integrated disc-brake
- High availability by highest teeth and production quality

2



Surface miners

From 30 to 200 tons

Travel drives

700C series



OUTPUT TORQUE
1 ... 625 kNm

GEAR RATIOS
5.3 ... 492

BENEFITS

- Power shift capability
- Compact solution
- High performance

F series



OUTPUT TORQUE
620 ... 2 916 kNm

GEAR RATIOS
249 ... 989

FEATURES

- Two gear shifting transmission
- Hydraulic controlled shifting
- Integrated parking & emergency brake
- Optional cooling flow to input stage and clutch unit
- Wide variety of ratio combinations

Cutter Drives

FA series

MAX CUTTING TORQUE
8.5 ... 32 kNm

INPUT POWER
80 ... 300 kW

GEAR RATIOS
16 ... 26

BENEFITS

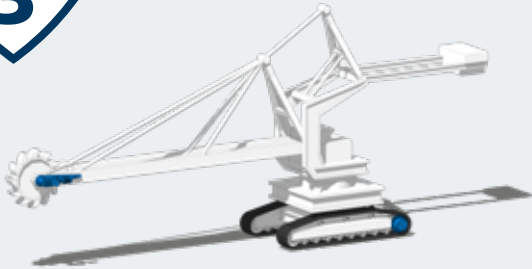
- Compact structure
- High performance
- High availability by highest teeth and production quality

FEATURES

- Notchless ground tooth root
- Different ratios
- Integrated disc-brake
- Suitable for various hydraulic motors



3



Bucket wheel excavators
Up to 240 000 m³/d

Travel drives

700C series



OUTPUT TORQUE
1 ... 625 kNm

GEAR RATIOS
5.3 ... 492

F series



OUTPUT TORQUE
620 ... 2 916 kNm

GEAR RATIOS
249 ... 989

BENEFITS

- Power shift capability
- Compact solution
- High performance

FEATURES

- Two gear shifting transmission
- Hydraulic controlled shifting
- Integrated parking & emergency brake
- Optional cooling flow to input stage and clutch unit
- Wide variety of ratio combinations

4



Jaw crushers
From 30 to 80 tons

Travel drives

700C Series



OUTPUT TORQUE
1 ... 625 kNm

GEAR RATIOS
5.3 ... 492

BENEFITS

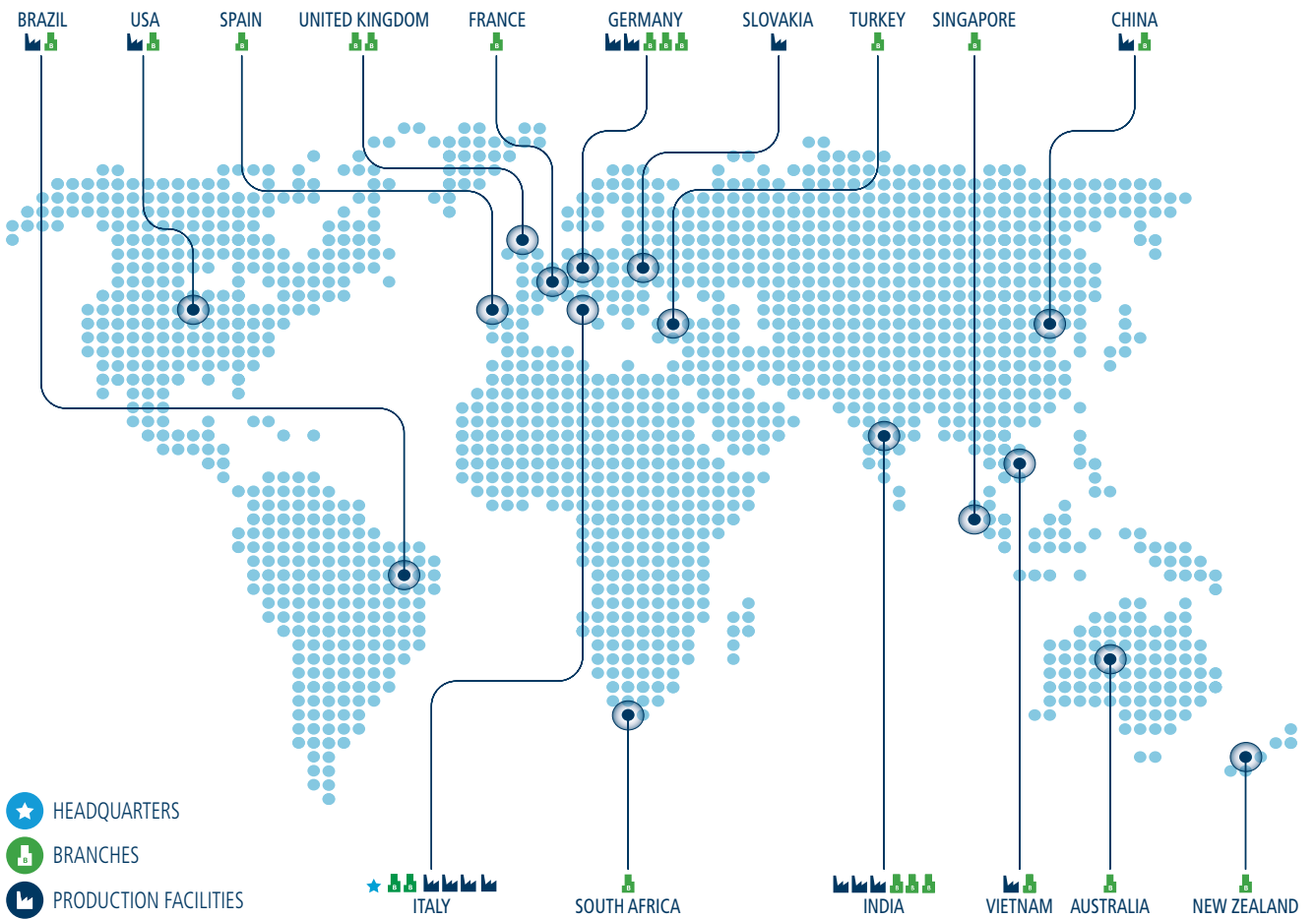
- Power shift capability
- Compact solution
- High performance

FEATURES

- Two gear shifting transmission
- Hydraulic controlled shifting
- Integrated parking & emergency brake
- Optional cooling flow to input stage and clutch unit
- Wide variety of ratio combinations

Bonfiglioli worldwide presence

Bonfiglioli is located in regions and countries around the world that enable us to provide faster sales and service to customers.
We are around the world, and around the corner.



LOCAL SUPPORT
 Sales, Customer Service,
 Warranty, Tech support,
 Spare parts



**21 BRANCH OFFICES
 IN 15 COUNTRIES**



**WORLDWIDE
 DISTRIBUTION
 NETWORK**

Bonfiglioli worldwide locations

Australia

www.bonfiglioli.com.au
2, Cox Place Glendenning NSW 2761
Locked Bag 1000 Plumpton NSW 2761
Tel. + 61 2 8811 8000

Brazil

www.bonfigliolidobrasil.com.br
Travessa Cláudio Armando 171
Bloco 3 - CEP 09861-730 - Bairro Assunção
São Bernardo do Campo - São Paulo
Tel. +55 11 4344 2322

China

www.bonfiglioli.cn
Bonfiglioli Drives (Shanghai) Co., Ltd.
#68, Hui-Lian Road, QingPu District,
201707 Shanghai
Tel. +86 21 6700 2000

France

www.bonfiglioli.fr
14 Rue Eugène Pottier
Zone Industrielle de Moimont II - 95670 Marly la Ville
Tel. +33 1 34474510

Germany

www.bonfiglioli.de
Sperberweg 12 - 41468 Neuss
Tel. +49 0 2131 2988 0

Industrial

Europark Fichtenhain B6 - 47807 Krefeld
Tel. +49 0 2151 8396 0

O&K Antriebstechnik

Ruhrallee 8-12 - 45525 Hattingen
Tel. +49 0 2324 2050 1

India

www.bonfiglioli.in
Mobile, Wind
Bonfiglioli Transmissions Pvt. Ltd.
Plot No. AC7-AC11, SIDCO Industrial Estate,
Thirumudivakkam - 600 044 Chennai
Tel. +91 44 2478 1035

Industrial

Survey No. 528, Porambakkam High Road,
Mannur Village, Sriperambudur Taluk - 602 105 Chennai
Tel. +91 44 6710 3800
Plot No. A-95, Phase IV, MIDC Chakan, Village Nighoje
Pune, Maharashtra - 410 501

Italy

www.bonfiglioli.it
Headquarters
Bonfiglioli Riduttori S.p.A.
Via Giovanni XXIII, 7/A
Lippo di Calderara di Reno - 40012 Bologna
Tel. +39 051 647 3111

Mobile, Wind

Via Enrico Mattei, 12 Z.I. Villa Selva - 47100 Forlì
Tel. +39 0543 789111

Industrial

Via Bazzane, 33/A - 40012 Calderara di Reno
Tel. +39 051 6473111
Via Trinità, 1 - 41058 Vignola
Tel. +39 059 768511
Via Sandro Pertini lotto 7b - 20080 Carpiano
Tel. +39 02 985081

Bonfiglioli Mechatronic Research

Via F. Zeni 8 - 38068 Rovereto
Tel. +39 0464 443435/36

New Zealand

www.bonfiglioli.co.nz
88 Hastie Avenue, Mangere Bridge, 2022 Auckland
PO Box 11795, Ellerslie
Tel. +64 09 634 6441

Singapore

www.bonfiglioli.com
24 Pioneer Crescent #02-08
West Park Bizcentral - Singapore, 628557
Tel. +65 6268 9869

Slovakia

www.bonfiglioli.com
Robotnícka 2129
Považská Bystrica, 01701 Slovakia
Tel. +421 42 430 75 64

South Africa

www.bonfiglioli.co.za
55 Galaxy Avenue, Linbro Business Park - Sandton
Tel. +27 11 608 2030

Spain

www.tecnotrans.bonfiglioli.com
Tecnotrans Bonfiglioli S.A.
Pol. Ind. Zona Franca, Sector C, Calle F, nº 6
08040 Barcelona
Tel. +34 93 447 84 00

Turkey

www.bonfiglioli.com.tr
Atatürk Organize Sanayi Bölgesi, 10007 Sk. No. 30
Atatürk Organize Sanayi Bölgesi, 35620 Çiğli - İzmir
Tel. +90 0 232 328 22 77

United Kingdom

www.bonfiglioli.co.uk

Industrial

Unit 7, Colemeadow Road
North Moons Moat - Redditch, Worcestershire B98 9PB
Tel. +44 1527 65022

Mobile, Wind

3 - 7 Grosvenor Grange, Woolston
Warrington - Cheshire WA1 4SF
Tel. +44 1925 852667

USA

www.bonfiglioliusa.com
3541 Hargrave Drive
Hebron, Kentucky 41048
Tel. +1 859 334 3333

Vietnam

www.bonfiglioli.vn
Lot C-9D-CN My Phuoc Industrial Park 3
Ben Cat - Binh Duong Province
Tel. +84 650 3577411



We have a relentless commitment to excellence, innovation and sustainability. Our team creates, distributes and services world-class power transmission and drive solutions to keep the world in motion.



HEADQUARTERS

Bonfiglioli Riduttori S.p.A.
Via Giovanni XXIII, 7/A
40012 Lippo di Calderara di Reno
Bologna (Italy)
tel: +39 051 647 3111
fax: +39 051 647 3126
bonfiglioli@bonfiglioli.com
www.bonfiglioli.com