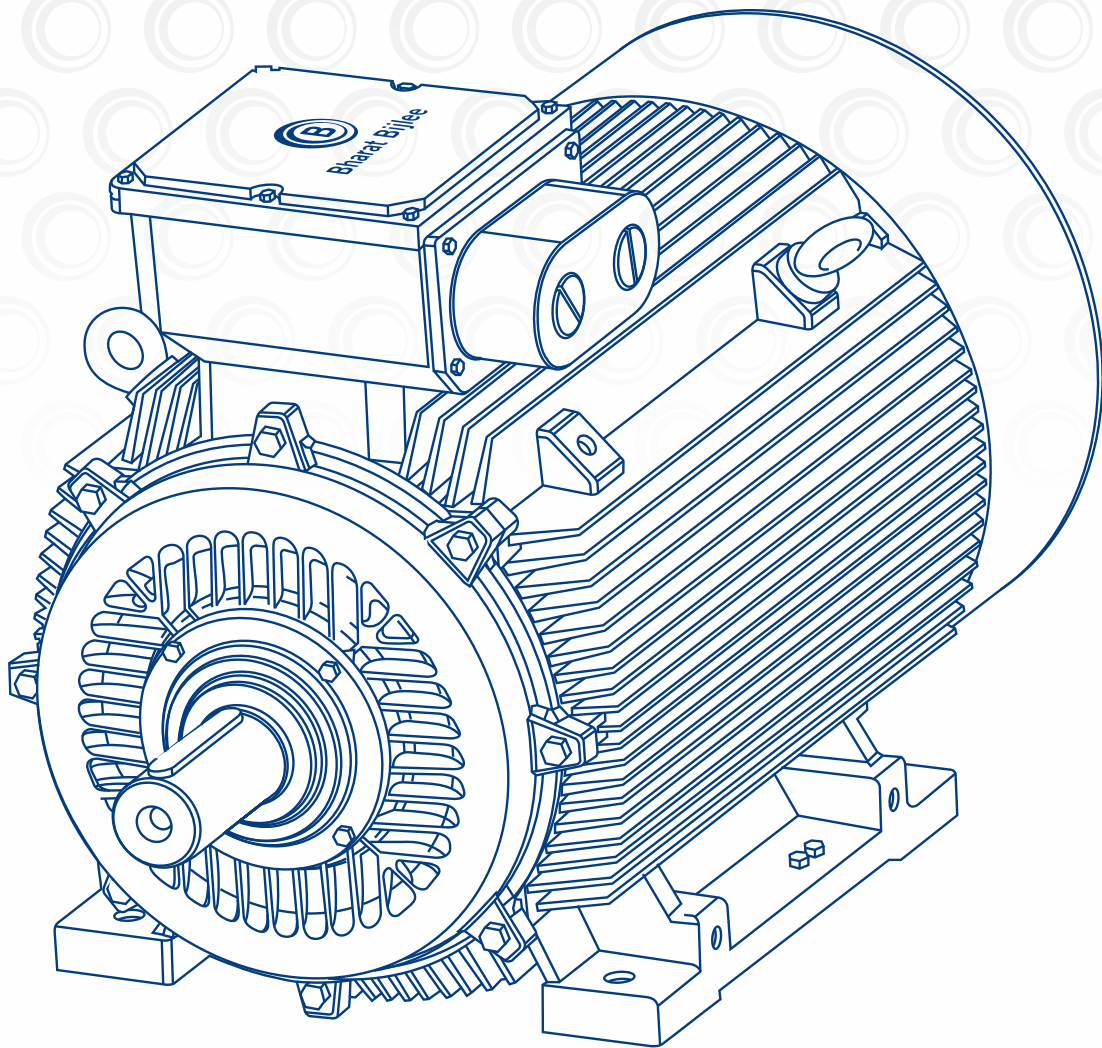


MOTORS PRICE LIST

LP39 Rev. 01 w.e.f. 26th Sept 2019



A MOTOR FOR EVERY NEED

MOTORS PRODUCT RANGE



General Purpose Motors for Safe Area

- IE2 series
- Premium Efficiency IE3 series motors



Hazardous Area Motors

- Flame Proof Motors Ex(d) in IE2 & IE3 efficiencies
- Non-Sparking Motors Ex(nA) in IE2 efficiency

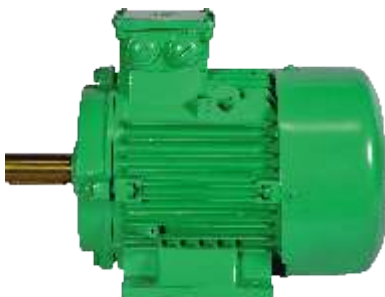


Special Purpose Motors

- Brake Motors
- Crane & Hoist Duty Motors
- Slip Ring Motors
- Cane Unloader Motors
- Textile Motors

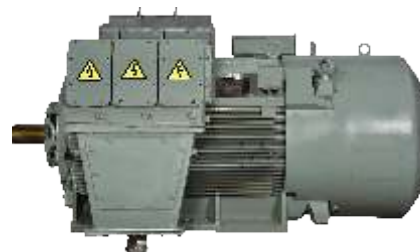


High Efficiency Large Frame Motors with DCCA



SynchroVERT®

IE4 Super Premium Efficiency Motors



MV Motors upto 1000 kW

- Safe Area Motors: upto 11kV
- Non Sparking Motors Ex(nA): upto 6.6kV

CONTENT

| | |
|--|-------|
| LV Motors: An Introduction | 1 |
| Safe Area Motors | 2 |
| IE2 Series Safe Area Motors | 2-3 |
| IE3 Series Safe Area Motors | 4-5 |
| Flame Proof Motors: Type Ex(d) | 6 |
| FLP Motors: Standard Range | 6 |
| FLP Motors: Efficiency Values Complying to IE2 Class | 7-8 |
| FLP Motors: Efficiency Values Complying to IE3 Class | 9-10 |
| Special Purpose Motors | 11 |
| Crane & Hoist Duty Motors | 11 |
| Crane Duty Slip Ring Motors | 12 |
| Cash Extras for Additional Features | 13-19 |

LV MOTORS: AN INTRODUCTION

The 18th century saw the advent of various technologies that led to the Industrial Revolution. Machines started replacing manual labour with an intent to increase productivity. Today, we are in a world where technology is advancing at an unprecedented rate and the backbone of this advancement is the most reliable and sustainable set of drivers. As one of the emerging nations, India is progressively adopting technologies and systems that guarantee the next level of performance. Electric motors are the prime movers for a large part of industry. It is hence imperative to have the most efficient and reliable motors to drive all possible applications.

With a continuous endeavor towards innovation and customer centricity, Bharat Bijlee since 1946 has developed a wide range of motors to suit various applications. Adherence to stringent quality norms in our manufacturing process ensures successful operation of our motors during their lifespan. With an in-house design team and state-of-the-art manufacturing facility, we have developed the skill, expertise and competence to manufacture highly customized motors and also for the most severe of applications. Owing to our emphasis on customer satisfaction in all aspects of product and service, we are the most trusted brand in the industry.

Why Bharat Bijlee?



Preferred brand across various sectors viz cement, construction, steel, food and beverages, water and wastewater, sugar, distilleries, paper, oil and gas, mining, power, chemical



Most stable operation on all applications (illustration depicted below)



Track record of over 4 million motors working successfully in the industry



The most suitable solutions to extremely harsh and severe applications

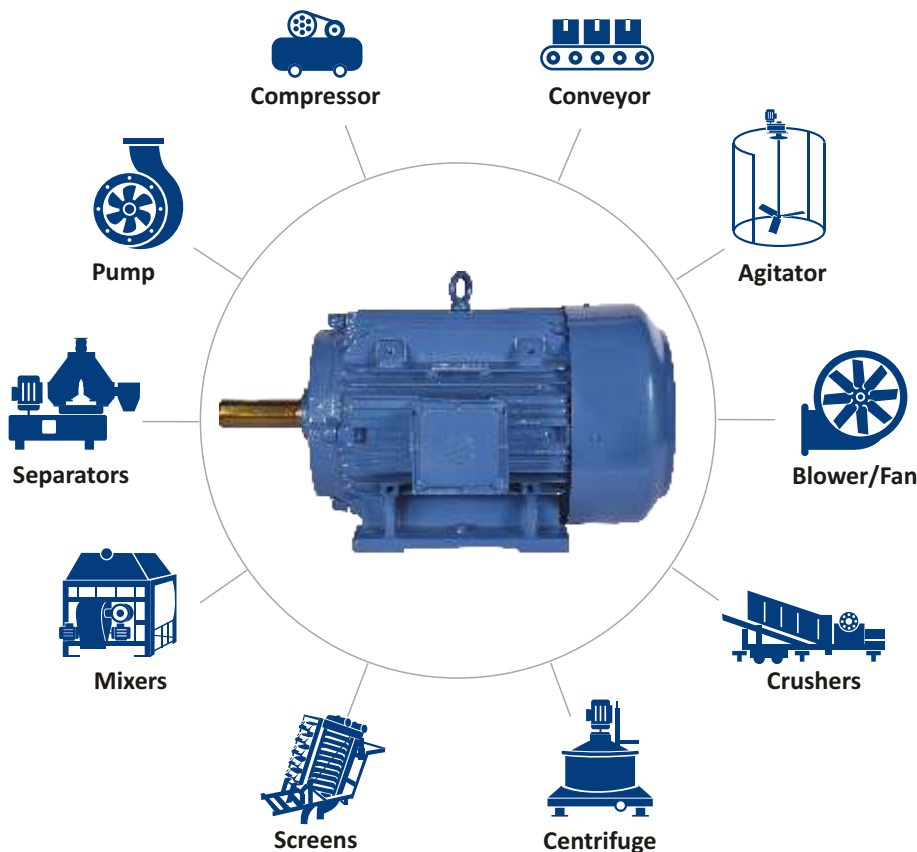


Customized motors designed and manufactured to suit application specific needs



Motors conform to relevant IS/IEC standards and other statutory requirements

The manufacturing facility for our entire portfolio is located across a 1,70,000 sq. metres campus in Airoli, Navi Mumbai. This is supported by an extensive sales and service network across the country and a central ServiceLINE™ desk.



IE2 SERIES SAFE AREA MOTORS

Foot mounted (B3 construction) 3 Phase Squirrel Cage Induction Motors suitable for 415V $\pm 10\%$, 50Hz $\pm 5\%$,

Combined Variation $\pm 10\%$, Insulation Class F, with temperature rise limited to Class B, Degree of Protection IP55,

Method of Cooling: Totally Enclosed Fan Cooled, Duty S1, Ambient Temperature 50°C, Conforms to IS/IEC 60034 & IS: 12615.

| 3000 rpm 2 Pole: Cast Iron Construction | | | | |
|---|--------|-------|----------------|-----------|
| KW | HP | Frame | Type Reference | LP39 |
| 1.50 | 2.00 | 90S | 2H09S243CT000 | 19,620 |
| 2.20 | 3.00 | 90L | 2H09L273CT000 | 23,940 |
| 3.70 | 5.00 | 100L | 2H10L233CT000 | 30,520 |
| 5.50 | 7.50 | 132S | 2H13S2G3CT000 | 52,630 |
| 7.50 | 10.00 | 132S | 2H13S2N3CT000 | 58,110 |
| 9.30 | 12.50 | 160M | 2H16M233CT000 | 91,890 |
| 11.00 | 15.00 | 160M | 2H16M253CT000 | 98,610 |
| 15.00 | 20.00 | 160M | 2H16M263CT000 | 1,09,020 |
| 18.50 | 25.00 | 160L | 2H16L293CT000 | 1,36,790 |
| 22.00 | 30.00 | 180M | 2H18M233CT000 | 1,54,220 |
| 30.00 | 40.00 | 200L | 2H20L2A3CT000 | 2,31,900 |
| 37.00 | 50.00 | 200L | 2H20L273CT000 | 2,73,590 |
| 45.00 | 60.00 | 225M | 2H22M253CT000 | 3,52,060 |
| 55.00 | 75.00 | 250M | 2H25M23300000 | 4,73,550 |
| 75.00 | 100.00 | 280S | 2H28S23300000 | 5,91,080 |
| 90.00 | 120.00 | 280M | 2H28M25300000 | 6,74,960 |
| 110.00 | 150.00 | 315S | 2H31S23300000 | 8,94,590 |
| 125.00 | 170.00 | 315M | 2H31M2A300000 | 10,29,640 |
| 132.00 | 180.00 | 315M | 2H31M23300000 | 10,78,580 |
| 150.00 | 200.00 | 315L | 2H31L2A300000 | 11,62,860 |
| 160.00 | 215.00 | 315L | 2H31L25300000 | 11,83,650 |
| 180.00 | 240.00 | 315L | 2H31L2B300000 | 12,44,910 |
| 200.00 | 270.00 | 355L | 2H35L2A300000 | 14,49,560 |
| 250.00 | 335.00 | 355L | 2H35L21300000 | 15,70,580 |
| 315.00 | 425.00 | 355L | 2H35L23300000 | 17,10,910 |

| 1500 rpm 4 Pole: Cast Iron Construction | | | | |
|---|--------|-------|----------------|-----------|
| KW | HP | Frame | Type Reference | LP39 |
| 1.10 | 1.50 | 90S | 2H09S423CT000 | 19,400 |
| 1.50 | 2.00 | 90L | 2H09L473CT000 | 23,320 |
| 2.20 | 3.00 | 100L | 2H10L473CT000 | 28,060 |
| 3.70 | 5.00 | 112M | 2H11M473CT000 | 35,570 |
| 5.50 | 7.50 | 132S | 2H13S4K3CT000 | 50,600 |
| 7.50 | 10.00 | 132M | 2H13M4T3CT000 | 57,460 |
| 9.30 | 12.50 | 160M | 2H16M4C3CT000 | 92,670 |
| 11.00 | 15.00 | 160M | 2H16M4K3CT000 | 94,190 |
| 15.00 | 20.00 | 160L | 2H16L4T3CT000 | 1,15,420 |
| 18.50 | 25.00 | 180M | 2H18M473CT000 | 1,56,050 |
| 22.00 | 30.00 | 180L | 2H18L483CT000 | 1,67,590 |
| 30.00 | 40.00 | 200L | 2H20L45300000 | 2,23,400 |
| 37.00 | 50.00 | 225S | 2H22S43300000 | 2,87,150 |
| 45.00 | 60.00 | 225M | 2H22M45300000 | 3,24,380 |
| 55.00 | 75.00 | 250M | 2H25M43300000 | 4,37,290 |
| 75.00 | 100.00 | 280S | 2H28S42300000 | 5,44,570 |
| 90.00 | 120.00 | 280M | 2H28M45300000 | 6,19,930 |
| 110.00 | 150.00 | 315S | 2H31S41300000 | 7,71,430 |
| 125.00 | 170.00 | 315M | 2H31M4A300000 | 8,83,830 |
| 132.00 | 180.00 | 315M | 2H31M43300000 | 9,08,980 |
| 150.00 | 200.00 | 315L | 2H31L4A300000 | 10,15,540 |
| 160.00 | 215.00 | 315L | 2H31L45300000 | 10,61,140 |
| 180.00 | 240.00 | 315L | 2H31L46300000 | 11,22,690 |
| 200.00 | 270.00 | 315L | 2H31L47300000 | 12,81,190 |
| 250.00 | 335.00 | 355L | 2H35L41300000 | 15,50,010 |
| 315.00 | 425.00 | 355L | 2H35L43300000 | 18,12,000 |
| 355.00 | 475.00 | 355L | 2H35L45300000 | 22,03,930 |

| 3000 rpm 2 Pole: Aluminium Construction | | | | |
|---|-------|-------|----------------|--------|
| KW | HP | Frame | Type Reference | LP39 |
| 0.37 | 0.50 | 71 | 2H0712A300000 | 11,610 |
| 0.55 | 0.75 | 71 | 2H07123300000 | 14,300 |
| 0.75 | 1.00 | 80 | 2H080213AT000 | 14,770 |
| 1.10 | 1.50 | 80 | 2H080233AT000 | 16,190 |
| 1.50 | 2.00 | 90S | 2H09S243AT000 | 18,690 |
| 2.20 | 3.00 | 90L | 2H09L273AT000 | 23,940 |
| 3.70 | 5.00 | 100L | 2H10L233AT000 | 29,630 |
| 5.50 | 7.50 | 132S | 2H13S2G3AT000 | 49,190 |
| 7.50 | 10.00 | 132S | 2H13S2N3AT000 | 54,410 |

| 1500 rpm 4 Pole: Aluminium Construction | | | | |
|---|-------|-------|----------------|--------|
| KW | HP | Frame | Type Reference | LP39 |
| 0.37 | 0.50 | 71 | 2H07143300000 | 11,680 |
| 0.55 | 0.75 | 80 | 2H080433AT000 | 14,740 |
| 0.75 | 1.00 | 80 | 2H080453AT000 | 15,250 |
| 1.10 | 1.50 | 90S | 2H09S423AT000 | 18,480 |
| 1.50 | 2.00 | 90L | 2H09L473AT000 | 22,640 |
| 2.20 | 3.00 | 100L | 2H10L473AT000 | 26,720 |
| 3.70 | 5.00 | 112M | 2H11M473AT000 | 33,880 |
| 5.50 | 7.50 | 132S | 2H13S4K3AT000 | 47,290 |
| 7.50 | 10.00 | 132M | 2H13M4T3AT000 | 55,790 |

Frames 71 to 132 are with Aluminium body with Terminal Box position as Top only.

Frames 90 to 132 can be offered in Cast Iron construction with Terminal Box on Top as standard. TB on LHS or RHS can be offered on request.

Frames 160 and above are in Cast Iron construction with TB on TOP as standard. TB on LHS or RHS can be offered on request.

* GST extra as applicable at the time of delivery.

IE2 SERIES SAFE AREA MOTORS

Foot mounted (B3 construction) 3 Phase Squirrel Cage Induction Motors suitable for 415V $\pm 10\%$, 50Hz $\pm 5\%$,

Combined Variation $\pm 10\%$, Insulation Class F, with temperature rise limited to Class B, Degree of Protection IP55,

Method of Cooling: Totally Enclosed Fan Cooled, Duty S1, Ambient Temperature 50°C, Conforms to IS/IEC 60034 & IS: 12615.

| 1000 rpm 6 Pole: Cast Iron Construction | | | | |
|---|--------|-------|----------------|-----------|
| kW | HP | Frame | Type Reference | LP39 |
| 0.75 | 1.00 | 90S | 2H09S633CT000 | 18,980 |
| 1.10 | 1.50 | 90L | 2H09L653CT000 | 21,250 |
| 1.50 | 2.00 | 100L | 2H10L633CT000 | 29,360 |
| 2.20 | 3.00 | 112M | 2H11M653CT000 | 34,250 |
| 3.70 | 5.00 | 132S | 2H13S6G3CT000 | 49,540 |
| 5.50 | 7.50 | 132M | 2H13M6T3CT000 | 60,750 |
| 7.50 | 10.00 | 160M | 2H16M633CT000 | 91,960 |
| 9.30 | 12.50 | 160L | 2H16L663CT000 | 1,00,840 |
| 11.00 | 15.00 | 160L | 2H16L673CT000 | 1,12,350 |
| 15.00 | 20.00 | 180L | 2H18L633CT000 | 1,52,610 |
| 18.50 | 25.00 | 200L | 2H20L633CT000 | 2,10,090 |
| 22.00 | 30.00 | 200L | 2H20L653CT000 | 2,25,940 |
| 30.00 | 40.00 | 225M | 2H22M643CT000 | 3,25,760 |
| 37.00 | 50.00 | 250M | 2H25M63300000 | 4,38,030 |
| 45.00 | 60.00 | 280S | 2H28S61300000 | 5,27,320 |
| 55.00 | 75.00 | 280M | 2H28M63300000 | 6,00,890 |
| 75.00 | 100.00 | 315S | 2H31S61300000 | 7,32,810 |
| 90.00 | 120.00 | 315M | 2H31M63300000 | 9,21,590 |
| 110.00 | 150.00 | 315M | 2H31M65300000 | 10,23,110 |
| 125.00 | 170.00 | 315L | 2H31L6A300000 | 11,30,530 |
| 132.00 | 180.00 | 315L | 2H31L67300000 | 12,04,680 |
| 150.00 | 200.00 | 315L | 2H31L6B300000 | 12,06,720 |
| 160.00 | 215.00 | 315L | 2H31L69300000 | 12,36,520 |
| 180.00 | 240.00 | 355L | 2H35L6A300000 | 14,08,670 |
| 200.00 | 270.00 | 355L | 2H35L61300000 | 15,05,040 |
| 250.00 | 335.00 | 355L | 2H35L63300000 | 16,53,050 |

| 750 rpm, 8 pole, Cast Iron Construction | | | | |
|---|------|-------|----------------|----------|
| kW | HP | Frame | Type Reference | LP39 |
| 0.37 | 0.5 | 90S | 2H09S813CT000 | 19,180 |
| 0.55 | 0.75 | 90L | 2H09L853CT000 | 20,990 |
| 0.75 | 1 | 100L | 2H10L813CT000 | 22,950 |
| 1.1 | 1.5 | 112M | 2H10L833CT000 | 25,490 |
| 1.5 | 2 | 112M | 2H11M813CT000 | 30,840 |
| 2.2 | 3 | 132S | 2H13S8B3CT000 | 46,390 |
| 3.7 | 5 | 160M | 2H16M813CT000 | 75,110 |
| 5.5 | 7.5 | 160M | 2H16M833CT000 | 93,820 |
| 7.5 | 10 | 160L | 2H16L863CT000 | 118,990 |
| 9.3 | 12.5 | 180M | 2H18M833CR000 | 1,70,070 |
| 11 | 15 | 180L | 2H18L873CR000 | 1,79,350 |
| 15 | 20 | 200L | 2H20L843CR000 | 2,48,010 |
| 18.5 | 25 | 225S | 2H22S823CR000 | 3,24,070 |
| 22 | 30 | 225M | 2H22M833CR000 | 3,89,580 |
| 30 | 40 | 250M | 2H25M813CT000 | 5,26,040 |
| 37 | 50 | 280S | 2H28S823CT000 | 6,85,980 |
| 45 | 60 | 280M | 2H28M853CT000 | 7,92,630 |

| 750 rpm, 8 pole, Aluminium Construction | | | | |
|---|------|-------|----------------|--------|
| kW | HP | Frame | Type Reference | LP39 |
| 0.37 | 0.5 | 90S | 2H09S813AT000 | 19,180 |
| 0.55 | 0.75 | 90L | 2H09L853AT000 | 20,990 |
| 0.75 | 1 | 100L | 2H10L813AT000 | 22,950 |
| 1.1 | 1.5 | 100L | 2H10L833AT000 | 25,490 |
| 1.5 | 2 | 112M | 2H11M813AT000 | 30,840 |
| 2.2 | 3 | 132S | 2H13S8B3AT000 | 46,390 |

| 1000 rpm 6 Pole: Aluminium Construction | | | | |
|---|------|-------|----------------|--------|
| kW | HP | Frame | Type Reference | LP39 |
| 0.37 | 0.50 | 80 | 2H080613CT000 | 15,930 |
| 0.55 | 0.75 | 80 | 2H080633CT000 | 16,390 |
| 0.75 | 1.00 | 90S | 2H09S633AT000 | 18,430 |
| 1.10 | 1.50 | 90L | 2H09L653AT000 | 20,240 |
| 1.50 | 2.00 | 100L | 2H10L633AT000 | 28,500 |
| 2.20 | 3.00 | 112M | 2H11M653AT000 | 32,700 |
| 3.70 | 5.00 | 132S | 2H13S6G3AT000 | 48,100 |
| 5.50 | 7.50 | 132M | 2H13M6T3AT000 | 60,750 |



Frames 71 to 132 are with Aluminium body with Terminal Box position as Top only.

Frames 90 to 132 can be offered in Cast Iron construction with Terminal Box on Top as standard. TB on LHS or RHS can be offered on request.

Frames 160 and above are in Cast Iron construction with TB on TOP as standard. TB on LHS or RHS can be offered on request.

* GST extra as applicable at the time of delivery.

IE3 SERIES SAFE AREA MOTORS

Foot mounted (B3 construction) 3 Phase Squirrel Cage Induction Motors suitable for 415V $\pm 10\%$, 50Hz $\pm 5\%$, Combined Variation $\pm 10\%$, Insulation Class F with temperature rise limited to Class B, Degree of Protection IP55, Ambient Temperature 50°C, Duty S1, Method of Cooling: Totally Enclosed Fan Cooled, Conforms to IS/IEC 60034 & IS: 12615

| 3000 rpm, 2 Pole: Cast Iron Construction | | | | |
|--|--------|-------|----------------|--------------------|
| kW | HP | Frame | Type Reference | LP39 |
| 0.75 | 1.00 | 80 | 3H0802B3CT000 | 19,220 |
| 1.10 | 1.50 | 80 | 3H0802E3CT000 | 21,980 |
| 1.50 | 2.00 | 90S | 3H09S2B3CT000 | 22,890 |
| 2.20 | 3.00 | 90L | 3H09L2E3CT000 | 27,140 |
| 3.70 | 5.00 | 100L | 3H10L2B3CT000 | 35,470 |
| 5.50 | 7.50 | 132S | 3H13S2C3CT000 | 59,400 |
| 7.50 | 10.00 | 132S | 3H13S2H3CT000 | 63,470 |
| 9.30 | 12.50 | 160M | 3H16M2B3CT000 | 1,19,610 |
| 11.00 | 15.00 | 160M | 3H16M2E3CT000 | 1,25,880 |
| 15.00 | 20.00 | 160M | 3H16M2H3CT000 | 1,33,240 |
| 18.50 | 25.00 | 160L | 3H16L2M3CT000 | 1,57,200 |
| 22.00 | 30.00 | 180M | 3H18M2B3CT000 | 1,87,010 |
| 30.00 | 40.00 | 200L | 3H20L2B3CT000 | 2,65,530 |
| 37.00 | 50.00 | 200L | 3H20L2E3CT000 | 3,08,550 |
| 45.00 | 60.00 | 225M | 3H22M2B3CT000 | 3,87,010 |
| 55.00 | 75.00 | 250M | 3H25M2E3CT000 | 5,23,150 |
| 75.00 | 100.00 | 280S | 3H28S2E3CT000 | 6,54,500 |
| 90.00 | 120.00 | 280M | 3H28M2H3CT000 | 7,53,280 |
| 110.00 | 150.00 | 315S | 3H31S2E3CT000 | 9,51,210 |
| 132.00 | 180.00 | 315L | 3H31L2H3CT000 | Refer Sales Office |
| 150.00 | 200.00 | 315L | 3H31L2K3CT000 | Refer Sales Office |
| 160.00 | 215.00 | 315L | 3H31L2M3CT000 | Refer Sales Office |
| 180.00 | 240.00 | 355L | 3H35L2A3CT000 | 14,60,970 |
| 200.00 | 270.00 | 355L | 3H35L2B3CT000 | 15,29,550 |
| 225.00 | 335.00 | 355L | 3H35L2C3CT000 | 16,38,730 |
| 250.00 | 335.00 | 355L | 3H35L2E3CT000 | 17,22,160 |
| 280.00 | 375.00 | 355L | 3H35L2G3CT000 | 18,48,000 |

| 1500 rpm, 4 Pole: Cast Iron Construction | | | | |
|--|--------|-------|----------------|-----------|
| kW | HP | Frame | Type Reference | LP39 |
| 0.55 | 0.75 | 80 | 3H0804B3CT000 | 17,800 |
| 0.75 | 1.00 | 80 | 3H0804E3CT000 | 20,820 |
| 1.10 | 1.50 | 90S | 3H09S4B3CT000 | 22,240 |
| 1.50 | 2.00 | 90L | 3H09L4E3CT000 | 26,100 |
| 2.20 | 3.00 | 100L | 3H10L4B3CT000 | 32,090 |
| 3.70 | 5.00 | 112M | 3H11M4B3CT000 | 40,200 |
| 5.50 | 7.50 | 132S | 3H13S4C3CT000 | 57,120 |
| 7.50 | 10.00 | 132M | 3H13M4H3CT000 | 66,500 |
| 9.30 | 12.50 | 160M | 3H16M4E3CT000 | 1,11,340 |
| 11.00 | 15.00 | 160M | 3H16M4H3CT000 | 1,15,000 |
| 15.00 | 20.00 | 160L | 3H16L4M3CT000 | 1,34,000 |
| 18.50 | 25.00 | 180M | 3H18M4B3CT000 | 1,83,210 |
| 22.00 | 30.00 | 180L | 3H18L4E3CT000 | 1,97,660 |
| 30.00 | 40.00 | 200L | 3H20L4B3CT000 | 2,52,890 |
| 37.00 | 50.00 | 225S | 3H22S4B3CT000 | 3,26,850 |
| 45.00 | 60.00 | 225M | 3H22M4E3CT000 | 3,72,080 |
| 55.00 | 75.00 | 250M | 3H25M4B3CT000 | 4,94,340 |
| 75.00 | 100.00 | 280S | 3H28S4B3CT000x | 6,00,490 |
| 90.00 | 120.00 | 280M | 3H28M4H3CT000x | 7,01,890 |
| 110.00 | 150.00 | 315S | 3H31S4G3CT000 | 8,36,000 |
| 132.00 | 180.00 | 315M | 3H31M4K3CT000 | 9,92,750 |
| 160.00 | 215.00 | 315L | 3H31L4P3CT000 | 12,54,750 |
| 200.00 | 270.00 | 315L | 3H31L4W3CT000 | 14,02,500 |
| 225.00 | 300.00 | 355L | 3H35L4B3CT000 | 17,19,890 |
| 250.00 | 335.00 | 355L | 3H35L4E3CT000 | 17,75,640 |
| 315.00 | 422.00 | 355L | 3H35L4H3CT000 | 20,06,830 |

| 3000 rpm, 2 Pole: Aluminium Construction | | | | |
|--|-------|-------|----------------|--------|
| kW | HP | Frame | Type Reference | LP39 |
| 1.50 | 2.00 | 90S | 3H09S2B3AT000 | 22,220 |
| 2.20 | 3.00 | 90L | 3H09L2E3AT000 | 26,600 |
| 3.70 | 5.00 | 100L | 3H10L2B3AT000 | 35,470 |
| 5.50 | 7.50 | 132S | 3H13S2C3AT000 | 54,000 |
| 7.50 | 10.00 | 132S | 3H13S2H3AT000 | 57,700 |

| 1500 rpm 4 Pole: Aluminium Construction | | | | |
|---|-------|-------|----------------|--------|
| kW | HP | Frame | Type Reference | LP39 |
| 1.10 | 1.50 | 90S | 3H09S4B3AT000 | 21,180 |
| 1.50 | 2.00 | 90L | 3H09L4E3AT000 | 24,930 |
| 2.20 | 3.00 | 100L | 3H10L4B3AT000 | 31,480 |
| 3.70 | 5.00 | 112M | 3H11M4B3AT000 | 39,030 |
| 5.50 | 7.50 | 132S | 3H13S4C3AT000 | 54,400 |
| 7.50 | 10.00 | 132M | 3H13M4H3AT000 | 63,940 |

Cast Iron construction Motors are with Top TB as standard feature, can be offered with RHS, LHS T Box on request
 Aluminum construction motors are offered with Top TB only.
 Motors are with Inverter grade winding with 6 leads.

*GST extra as applicable at the time of delivery.

IE3 SERIES SAFE AREA MOTORS

Foot mounted (B3 construction) 3 Phase Squirrel Cage Induction Motors suitable for 415V $\pm 10\%$, 50Hz $\pm 5\%$, Combined Variation $\pm 10\%$, Insulation Class F with temperature rise limited to Class B, Degree of Protection IP55, Ambient Temperature 50°C, Duty S1, Method of Cooling: Totally Enclosed Fan Cooled, Conforms to IS/IEC 60034 & IS: 12615

| 1000 rpm, 6 Pole: Cast Iron Construction | | | | |
|--|--------|-------|----------------|-----------|
| kW | HP | Frame | Type Reference | LP39 |
| 0.37 | 0.50 | 80 | 3H0806B3CT000 | 18,640 |
| 0.55 | 0.75 | 80 | 3H0806E3CT000 | 20,000 |
| 0.75 | 1.00 | 90S | 3H09S6B3CT000 | 24,580 |
| 1.10 | 1.50 | 90L | 3H09L6E3CT000 | 28,050 |
| 1.50 | 2.00 | 100L | 3H10L6B3CT000 | 35,840 |
| 2.20 | 3.00 | 112M | 3H11M6B3CT000 | 39,390 |
| 3.70 | 5.00 | 132S | 3H13S6C3CT000 | 59,130 |
| 5.50 | 7.50 | 132M | 3H13M6H3CT000 | 69,730 |
| 7.50 | 10.00 | 160M | 3H16M6B3CT000 | 1,08,240 |
| 9.30 | 12.50 | 160L | 3H16L6E3CT000 | 1,20,730 |
| 11.00 | 15.00 | 160L | 3H16L6H3CT000 | 1,29,110 |
| 15.00 | 20.00 | 180L | 3H18L6B3CT000 | 1,80,290 |
| 18.50 | 25.00 | 200L | 3H20L6B3CT000 | 2,36,490 |
| 22.00 | 30.00 | 200L | 3H20L6E3CT000 | 2,60,880 |
| 30.00 | 40.00 | 225M | 3H22M6B3CT000 | 3,62,570 |
| 37.00 | 50.00 | 250M | 3H25M6B3CT000 | 4,87,760 |
| 45.00 | 60.00 | 280S | 3H28S6B3CT000 | 5,92,900 |
| 55.00 | 75.00 | 280M | 3H28M6E3CT000 | 6,81,520 |
| 75.00 | 100.00 | 315S | 3H31S6B3CT000 | 8,06,190 |
| 90.00 | 120.00 | 315M | 3H31M6E3CT000 | 10,01,000 |
| 110.00 | 150.00 | 315M | 3H31M6H3CT000 | 11,55,000 |
| 132.00 | 180.00 | 315L | 3H31L6M3CT000 | 13,15,490 |
| 160.00 | 215.00 | 355L | 3H35L6B3CT000 | 13,80,500 |
| 180.00 | 240.00 | 355L | 3H35L6C3CT000 | 15,91,870 |
| 200.00 | 270.00 | 355L | 3H35L6E3CT000 | 17,55,930 |
| 250.00 | 335.00 | 355L | 3H35L6H3CT000 | 19,31,770 |

| 750 rpm, 8 pole, Cast Iron Construction | | | | |
|---|------|-------|----------------|----------|
| kW | HP | Frame | Type Reference | LP39 |
| 0.37 | 0.5 | 90S | 3H09S853CT000 | 22,090 |
| 0.55 | 0.75 | 90L | 3H09L863CT000 | 24,160 |
| 0.75 | 1 | 100L | 3H10L833CT000 | 26,340 |
| 1.10 | 1.5 | 100L | 3H10L853CT000 | 28,890 |
| 1.50 | 2 | 112M | 3H11M833CT000 | 36,670 |
| 2.20 | 3 | 132S | 3H13S8G3CT000 | 54,740 |
| 3.70 | 5 | 160M | 3H16M823CT000 | 86,380 |
| 5.50 | 7.5 | 160M | 3H16M843CT000 | 1,07,050 |
| 7.50 | 10 | 160L | 3H16L883CT000 | 1,36,860 |
| 9.30 | 12.5 | 180M | 3H18M873CT000 | 1,95,600 |
| 11.00 | 15 | 180L | 3H18L893CT000 | 2,06,280 |
| 15.00 | 20 | 200L | 3H20L853CT000 | 2,52,530 |
| 18.50 | 25 | 225S | 3H22S823CT000 | 3,72,680 |
| 22.00 | 30 | 225M | 3H22M833CT000 | 4,48,040 |
| 30.00 | 40 | 250M | 3H25M813CT000 | 6,04,960 |
| 37.00 | 50 | 280S | 3H28S823CT000 | 7,88,910 |
| 45.00 | 60 | 280M | 3H28M853CT000 | 9,11,530 |

| 750 rpm, 8 pole, Aluminium Construction | | | | |
|---|------|-------|----------------|--------|
| kW | HP | Frame | Type Reference | LP39 |
| 0.37 | 0.5 | 90S | 3H09S853AT000 | 22,090 |
| 0.55 | 0.75 | 90L | 3H09L863AT000 | 24,160 |
| 0.75 | 1 | 100L | 3H10L833AT000 | 26,340 |
| 1.10 | 1.5 | 100L | 3H10L853AT000 | 28,890 |
| 1.50 | 2 | 112M | 3H11M833AT000 | 36,670 |
| 2.20 | 3 | 132S | 3H13S8G3AT000 | 54,740 |

| 1000 rpm, 6 Pole: Aluminium Construction | | | | |
|--|------|-------|----------------|--------|
| kW | HP | Frame | Type Reference | LP39 |
| 0.75 | 1.00 | 90S | 3H09S6B3AT000 | 21,370 |
| 1.10 | 1.50 | 90L | 3H09L6E3AT000 | 28,050 |
| 1.50 | 2.00 | 100L | 3H10L6B3AT000 | 35,840 |
| 2.20 | 3.00 | 112M | 3H11M6B3AT000 | 38,640 |
| 3.70 | 5.00 | 132S | 3H13S6C3AT000 | 56,310 |
| 5.50 | 7.50 | 132M | 3H13M6H3AT000 | 69,730 |



Cast Iron construction Motors are with Top TB as standard feature, can be offered with RHS, LHS T Box on request
 Aluminum construction motors are offered with Top TB only.
 Motors are with Inverter grade winding with 6 leads.

*GST extra as applicable at the time of delivery.

FLP MOTORS: STANDARD RANGE

Foot mounted (B3 construction) 3 Phase Squirrel Cage Induction Motor, 415V $\pm 10\%$, 50Hz $\pm 5\%$, Combined Variation $\pm 10\%$,
 Insulation Class F, with temperature rise limited to Class B, Degree of Protection IP55, Duty S1, Ambient Temperature 45°C,
 Method of Cooling: Totally Enclosed Fan Cooled, Conforms to IS/IEC 60034-1, IS/IEC 60079-1:2007, Gas Group IIA, IIB.

| 3000 rpm, 2 Pole | | | | |
|------------------|--------|-------|----------------|-----------|
| kW | HP | Frame | Type Reference | LP39 |
| 0.37 | 0.50 | 80 | MD0802A300000 | 27,490 |
| 0.55 | 0.75 | 80 | MD0802B300000 | 30,460 |
| 0.75 | 1.00 | 80 | MD08021300000 | 31,400 |
| 1.1 | 1.50 | 80 | MD08023300000 | 34,940 |
| 1.5 | 2.00 | 90 L | MD09L23300000 | 37,050 |
| 2.2 | 3.00 | 90 L | MD09L25300000 | 49,000 |
| 3.7 | 5.00 | 100 L | MD10L21300000 | 62,210 |
| 5.5 | 7.50 | 132M | MD13S2B300000 | 88,700 |
| 7.5 | 10.00 | 132M | MD13S2E300000 | 97,180 |
| 9.3 | 12.50 | 132M | MD13M2N300000 | 1,51,230 |
| 11 | 15.00 | 160M | MD16M21300000 | 1,78,330 |
| 15 | 20.00 | 160M | MD16M25300000 | 2,08,230 |
| 18.5 | 25.00 | 160L | MD16L27300000 | 2,36,350 |
| 22 | 30.00 | 180L | MD18L21300000 | 2,79,660 |
| 30 | 40.00 | 200L | MD20L23300000 | 3,76,890 |
| 37 | 50.00 | 200L | MD20L25300000 | 4,88,230 |
| 45 | 60.00 | 225M | MD22M23300000 | 6,16,730 |
| 55 | 75.00 | 250M | MD25M21300000 | 7,49,360 |
| 75 | 100.00 | 280S | MD28S21300000 | 9,46,240 |
| 90 | 120.00 | 280M | MD28M23300000 | 10,19,460 |

| 1500 rpm, 4 Pole | | | | |
|------------------|--------|-------|----------------|----------|
| kW | HP | Frame | Type Reference | LP39 |
| 0.37 | 0.50 | 80 | MD0804A300000 | 26,970 |
| 0.55 | 0.75 | 80 | MD08041300000 | 29,510 |
| 0.75 | 1.00 | 80 | MD08043300000 | 30,730 |
| 1.1 | 1.50 | 90 L | MD09L43300000 | 35,030 |
| 1.5 | 2.00 | 90 L | MD09L45300000 | 38,130 |
| 2.2 | 3.00 | 100 L | MD10L43300000 | 48,430 |
| 3.7 | 5.00 | 112M | MD11M43300000 | 60,750 |
| 5.5 | 7.50 | 132M | MD13S4B300000 | 83,800 |
| 7.5 | 10.00 | 132M | MD13M4K300000 | 95,340 |
| 9.3 | 12.50 | 160M | MD16M4A300000 | 1,51,470 |
| 11 | 15.00 | 160M | MD16M4C300000 | 1,54,550 |
| 15 | 20.00 | 160L | MD16L4K300000 | 1,89,620 |
| 18.5 | 25.00 | 180L | MD18L43300000 | 2,12,310 |
| 22 | 30.00 | 180L | MD18L47300000 | 2,52,220 |
| 30 | 40.00 | 200L | MD20L43300000 | 3,39,810 |
| 37 | 50.00 | 225S | MD22S41300000 | 4,41,520 |
| 45 | 60.00 | 225M | MD22M43300000 | 5,55,480 |
| 55 | 75.00 | 250M | MD25M41300000 | 6,81,540 |
| 75 | 100.00 | 280S | MD28S41300000 | 8,59,540 |
| 90 | 120.00 | 280M | MD28M43300000 | 8,76,080 |

| 1000 rpm, 6 Pole | | | | |
|------------------|-------|-------|----------------|----------|
| kW | HP | Frame | Type Reference | LP39 |
| 0.37 | 0.50 | 80 | MD08061300000 | 30,890 |
| 0.55 | 0.75 | 80 | MD08063300000 | 31,990 |
| 0.75 | 1.00 | 90L | MD09L63300000 | 37,220 |
| 1.10 | 1.50 | 90L | MD09L65300000 | 38,260 |
| 1.50 | 2.00 | 100L | MD10L63300000 | 54,800 |
| 2.20 | 3.00 | 112M | MD11M63300000 | 63,840 |
| 3.70 | 5.00 | 132M | MD13S6B300000 | 84,550 |
| 5.50 | 7.50 | 132M | MD13M6N300000 | 1,02,570 |
| 7.50 | 10.00 | 160M | MD16M63300000 | 1,61,850 |
| 9.30 | 12.50 | 160L | MD16L66300000 | 1,79,780 |
| 11.00 | 15.00 | 160L | MD16L67300000 | 1,97,580 |
| 15.00 | 20.00 | 180L | MD18L61300000 | 2,59,710 |
| 18.50 | 25.00 | 200L | MD20L61300000 | 3,21,740 |
| 22.00 | 30.00 | 200L | MD20L63300000 | 3,48,870 |
| 30.00 | 40.00 | 225M | MD22M62300000 | 5,71,710 |
| 37.00 | 50.00 | 250M | MD25M60300000 | 7,03,700 |
| 45.00 | 60.00 | 280S | MD28S61300000 | 8,37,050 |
| 55.00 | 75.00 | 280M | MD28M63300000 | 9,02,260 |

| 750 rpm, 8 Pole | | | | |
|-----------------|-------|-------|----------------|----------|
| kW | HP | Frame | Type Reference | LP39 |
| 0.37 | 0.50 | 90L | MD09L83300000 | 36,620 |
| 0.55 | 0.75 | 90L | MD09L85300000 | 39,590 |
| 0.75 | 1.00 | 100L | MD10L81300000 | 48,680 |
| 1.10 | 1.50 | 100L | MD10L83300000 | 56,640 |
| 1.50 | 2.00 | 112M | MD11M81300000 | 67,710 |
| 2.20 | 3.00 | 132M | MD13S8B300000 | 89,200 |
| 3.70 | 5.00 | 160M | MD16M81300000 | 1,44,050 |
| 5.50 | 7.50 | 160M | MD16M83300000 | 1,68,660 |
| 7.50 | 10.00 | 160L | MD16L87300000 | 2,05,430 |
| 9.30 | 12.50 | 180L | MD18L81300000 | 2,60,620 |
| 11.00 | 15.00 | 180L | MD18L83300000 | 2,74,680 |
| 15.00 | 20.00 | 200L | MD20L83300000 | 3,70,760 |
| 18.50 | 25.00 | 225S | MD22S81300000 | 4,60,210 |
| 22.00 | 30.00 | 225M | MD22M83300000 | 6,04,930 |
| 30.00 | 40.00 | 250M | MD25M81300000 | 7,42,950 |
| 37.00 | 50.00 | 280S | MD28S82300000 | 9,53,320 |
| 45.00 | 60.00 | 280M | MD28M85300000 | 9,73,520 |

All motors are with T Box on top.

Frames 112 & 132 can be offered with T Box on RHS on request.

Frames 160 to 280 can be offered with T Box on RHS/LHS on request.

For higher ratings refer to IE2 Series Motors.

*GST extra as applicable at the time of delivery.

FLP MOTORS: Efficiency Values Complying to IE2 Class

Foot mounted (B3 construction) 3 Phase Squirrel Cage Induction Motor, 415V $\pm 10\%$, 50Hz $\pm 5\%$, , Combined Variation $\pm 10\%$,

Insulation Class F, with temperature rise limited to Class B, Degree of Protection IP55, Duty S1, Ambient Temp 45°C,

Method of Cooling: Totally Enclosed Fan Cooled, Conforms to IS/IEC:60034-1, IS/IEC 60079-1:2007, IE2 Efficiency Class, Gas Group IIA, IIB.

| 3000 rpm 2 Pole | | | | |
|-----------------|--------|-------|----------------|-----------|
| kW | HP | Frame | Type Reference | LP39 |
| 0.37 | 0.50 | 80 | 2J0802A300000 | 31,630 |
| 0.55 | 0.75 | 80 | 2J0802B300000 | 35,350 |
| 0.75 | 1.00 | 80 | 2J08021300000 | 36,430 |
| 1.10 | 1.50 | 80 | 2J08023300000 | 40,810 |
| 1.50 | 2.00 | 90L | 2J09L24300000 | 42,640 |
| 2.20 | 3.00 | 90L | 2J09L27300000 | 57,310 |
| 3.70 | 5.00 | 100L | 2J10L23300000 | 72,830 |
| 5.50 | 7.50 | 132S | 2J13S2G300000 | 1,02,770 |
| 7.50 | 10.00 | 132S | 2J13S2N300000 | 1,13,380 |
| 9.30 | 12.50 | 160M | 2J16M23300000 | 1,92,660 |
| 11.00 | 15.00 | 160M | 2J16M25300000 | 1,93,690 |
| 15.00 | 20.00 | 160M | 2J16M26300000 | 2,32,520 |
| 18.50 | 25.00 | 160L | 2J16L29300000 | 2,64,520 |
| 22.00 | 30.00 | 180L | 2J18L23300000 | 3,10,890 |
| 30.00 | 40.00 | 200L | 2J20L2A300000 | 4,23,650 |
| 37.00 | 50.00 | 200L | 2J20L25300000 | 5,49,680 |
| 45.00 | 60.00 | 225M | 2J22M25300000 | 6,94,640 |
| 55.00 | 75.00 | 250M | 2J25M23300000 | 8,55,820 |
| 75.00 | 100.00 | 280M | 2J28M23300000 | 10,50,270 |
| 90.00 | 120.00 | 280M | 2J28M25300000 | 11,30,530 |
| 110.00 | 150.00 | 315S | 2J31S23300000 | 13,46,550 |
| 125.00 | 170.00 | 315M | 2J31M2A300000 | 15,37,310 |
| 132.00 | 180.00 | 315M | 2J31M23300000 | 15,53,030 |
| 150.00 | 200.00 | 315L | 2J31L2A300000 | 17,06,430 |
| 160.00 | 215.00 | 315L | 2J31L25300000 | 17,60,740 |
| 180.00 | 240.00 | 315L | 2J31L2B300000 | 21,11,010 |

| 1500 rpm 4 Pole | | | | |
|-----------------|--------|-------|----------------|-----------|
| kW | HP | Frame | Type Reference | LP39 |
| 0.37 | 0.50 | 80 | 2J08041300000 | 31,070 |
| 0.55 | 0.75 | 80 | 2J08043300000 | 34,290 |
| 0.75 | 1.00 | 80 | 2J08045300000 | 35,650 |
| 1.10 | 1.50 | 90L | 2J09L42300000 | 40,790 |
| 1.50 | 2.00 | 90L | 2J09L47300000 | 44,500 |
| 2.20 | 3.00 | 100L | 2J10L47300000 | 58,730 |
| 3.70 | 5.00 | 112M | 2J11M47300000 | 71,710 |
| 5.50 | 7.50 | 132S | 2J13S4K300000 | 98,080 |
| 7.50 | 10.00 | 132M | 2J13M4T300000 | 1,12,340 |
| 9.30 | 12.50 | 160M | 2J16M4C300000 | 1,64,670 |
| 11.00 | 15.00 | 160M | 2J16M4K300000 | 1,74,000 |
| 15.00 | 20.00 | 160L | 2J16L4T300000 | 2,11,920 |
| 18.50 | 25.00 | 180L | 2J18L47300000 | 2,47,360 |
| 22.00 | 30.00 | 180L | 2J18L48300000 | 2,83,730 |
| 30.00 | 40.00 | 200L | 2J20L45300000 | 3,85,460 |
| 37.00 | 50.00 | 225M | 2J22M43300000 | 5,02,040 |
| 45.00 | 60.00 | 225M | 2J22M45300000 | 6,35,940 |
| 55.00 | 75.00 | 250M | 2J25M43300000 | 7,79,160 |
| 75.00 | 100.00 | 280S | 2J28S42300000 | 9,52,650 |
| 90.00 | 120.00 | 280M | 2J28M45300000 | 9,71,090 |
| 110.00 | 150.00 | 315S | 2J31S41300000 | 11,60,760 |
| 125.00 | 170.00 | 315M | 2J31M4A300000 | 13,35,980 |
| 132.00 | 180.00 | 315M | 2J31M43300000 | 14,04,620 |
| 150.00 | 200.00 | 315L | 2J31L4A300000 | 14,46,590 |
| 160.00 | 215.00 | 315L | 2J31L45300000 | 14,74,900 |
| 180.00 | 240.00 | 315L | 2J31L46300000 | 17,65,520 |
| #200 | 270.00 | 315L | 2J31L47300000 | 21,05,780 |

All motors are with T Box on top as standard feature.

Frames 112 & 132 can be offered with T Box on RHS on request.

Frames 160 to 280 can be offered with T Box on RHS/LHS on request.

This rating is suitable for Ambient Temperature 40° C.

*GST extra as applicable at the time of delivery.

FLP MOTORS: Efficiency Values Complying to IE2 Class

Foot mounted (B3 construction) 3 Phase Squirrel Cage Induction Motor, 415V $\pm 10\%$, 50Hz $\pm 5\%$, Combined Variation $\pm 10\%$, Insulation Class F, with temperature rise limited to Class B, Degree of Protection IP55, Duty S1, Ambient Temperature 45°C, Method of Cooling: Totally Enclosed Fan Cooled, Conforms to IS/IEC:60034-1, IS/IEC 60079-1:2007, IE2 Efficiency Class, Gas Group IIA, IIB.

| 1000 rpm 6 Pole | | | | |
|-----------------|--------|-------|----------------|-----------|
| kW | HP | Frame | Type Reference | LP39 |
| 0.37 | 0.50 | 80 | 2J08061300000 | 36,120 |
| 0.55 | 0.75 | 80 | 2J08063300000 | 37,060 |
| 0.75 | 1.00 | 90L | 2J09L633000000 | 43,200 |
| 1.10 | 1.50 | 90L | 2J09L653000000 | 44,460 |
| 1.50 | 2.00 | 100L | 2J10L633000000 | 64,380 |
| 2.20 | 3.00 | 112M | 2J11M653000000 | 74,830 |
| 3.70 | 5.00 | 132S | 2J13S6G3000000 | 99,130 |
| 5.50 | 7.50 | 132M | 2J13M6T3000000 | 1,20,150 |
| 7.50 | 10.00 | 160M | 2J16M633000000 | 1,85,900 |
| 9.30 | 12.50 | 160L | 2J16L663000000 | 2,14,850 |
| 11.00 | 15.00 | 160L | 2J16L673000000 | 2,27,700 |
| 15.00 | 20.00 | 180L | 2J18L633000000 | 2,91,280 |
| 18.50 | 25.00 | 200L | 2J20L633000000 | 3,65,670 |
| 22.00 | 30.00 | 200L | 2J20L653000000 | 3,96,660 |
| 30.00 | 40.00 | 225M | 2J22M643000000 | 6,50,270 |
| 37.00 | 50.00 | 250M | 2J25M633000000 | 7,98,650 |
| 45.00 | 60.00 | 280S | 2J28S613000000 | 9,27,550 |
| 55.00 | 75.00 | 280M | 2J28M633000000 | 10,00,460 |
| 75.00 | 100.00 | 315S | 2J31S613000000 | 11,73,170 |
| 90.00 | 120.00 | 315M | 2J31M633000000 | 13,75,710 |
| 110.00 | 150.00 | 315M | 2J31M653000000 | 15,08,250 |
| 125.00 | 170.00 | 315L | 2J31L6A3000000 | 17,84,690 |
| 132.00 | 180.00 | 315L | 2J31L673000000 | 18,28,240 |
| 150.00 | 200.00 | 315L | 2J31L6B3000000 | 21,39,370 |
| 160.00 | 215.00 | 315L | 2J31L693000000 | 23,03,440 |

| 750 rpm, 8 pole | | | | |
|-----------------|------|-------|----------------|-----------|
| kW | HP | Frame | Type Reference | LP39 |
| 0.37 | 0.5 | 90L | 2J09L833000000 | 39,430 |
| 0.55 | 0.75 | 90L | 2J09L853000000 | 42,680 |
| 0.75 | 1 | 100L | 2J10L813000000 | 51,630 |
| 1.10 | 1.5 | 100L | 2J10L833000000 | 60,100 |
| 1.50 | 2 | 112M | 2J11M813000000 | 72,080 |
| 2.20 | 3 | 132S | 2J13S8B3000000 | 95,250 |
| 3.70 | 5 | 160M | 2J16M813000000 | 1,54,130 |
| 5.50 | 7.5 | 160M | 2J16M833000000 | 1,67,510 |
| 7.50 | 10 | 160L | 2J16L863000000 | 2,15,810 |
| 9.30 | 12.5 | 180L | 2J18L833000000 | 3,40,150 |
| 15.00 | 20 | 200L | 2J20L843000000 | 4,84,340 |
| 18.50 | 25 | 225S | 2J22S823000000 | 6,01,290 |
| 22.00 | 30 | 225M | 2J22M833000000 | 7,91,370 |
| 30.00 | 40 | 250M | 2J25M813000000 | 9,71,930 |
| 37.00 | 50 | 280S | 2J28S823000000 | 12,47,250 |
| 45.00 | 60 | 280M | 2J28M853000000 | 13,40,480 |



All motors are with T Box on top as standard feature.
 Frames 112 & 132 can be offered with T Box on RHS on request.
 Frames 160 to 280 can be offered with T Box on RHS/LHS on request.

*GST extra as applicable at the time of delivery.

FLP MOTORS: Efficiency Values Complying to IE3 Class

Foot mounted (B3 construction) 3 Phase Squirrel Cage Induction Motor, 415V $\pm 10\%$, 50Hz $\pm 5\%$, , Combined Variation $\pm 10\%$,

Insulation Class F, with temperature rise limited to Class B, Degree of Protection IP55, Duty S1, Ambient Temp: 45°C,

Method of Cooling: Totally Enclosed Fan Cooled, Conforms to IS/IEC:60034-1, IS/IEC 60079-1:2007, IE3 Efficiency Class, Gas Group IIA, IIB.

| 3000 rpm, 2 pole | | | | |
|------------------|------|-------|----------------|-----------|
| kW | HP | Frame | Type Reference | LP39 |
| 1.5 | 2 | 90L | 3J09L2B300000 | 50,710 |
| 2.2 | 3 | 90L | 3J09L2E300000 | 65,330 |
| 3.7 | 5 | 100L | 3J10L2B300000 | 83,030 |
| 5.5 | 7.5 | 132S | 3J13S2C300000 | 1,17,160 |
| 7.5 | 10 | 132S | 3J13S2H300000 | 1,29,250 |
| 9.3 | 12.5 | 160M | 3J16M2B300000 | 2,19,630 |
| 11 | 15 | 160M | 3J16M2E300000 | 2,20,810 |
| 15 | 20 | 160M | 3J16M2H300000 | 2,61,820 |
| 18.5 | 25 | 160L | 3J16L2M300000 | 3,01,550 |
| 22 | 30 | 20L | 3J20L2S300000 | 3,50,780 |
| 30 | 40 | 22M | 3J22M2S300000 | 4,76,370 |
| 37 | 50 | 22M | 3J22M2S300000 | 5,95,290 |
| 45 | 60 | 25M | 3J25M2S300000 | 7,09,300 |
| 55 | 75 | 28S | 3J28S2A300000 | 9,67,430 |
| 75 | 100 | 28S | 3J28S2E300000 | 11,31,830 |
| 90 | 120 | 28M | 3J28M2H300000 | 12,66,560 |

| 1500 rpm, 4 pole | | | | |
|------------------|------|-------|----------------|-----------|
| kW | HP | Frame | Type Reference | LP39 |
| 1.1 | 1.5 | 90L | 3J09L4B300000 | 47,590 |
| 1.5 | 2 | 90L | 3J09L4E300000 | 52,250 |
| 2.2 | 3 | 100L | 3J10L4B300000 | 70,300 |
| 3.7 | 5 | 112M | 3J11M4B300000 | 81,750 |
| 5.5 | 7.5 | 132S | 3J13S4C300000 | 1,11,810 |
| 7.5 | 10 | 132M | 3J13M4H300000 | 1,28,070 |
| 9.3 | 12.5 | 160M | 3J16M4E300000 | 1,91,020 |
| 11 | 15 | 160M | 3J16M4H300000 | 1,98,360 |
| 15 | 20 | 160L | 3J16L4M300000 | 2,41,570 |
| 18.5 | 25 | 20L | 3J20L4A300000 | 2,87,200 |
| 22 | 30 | 20L | 3J20L4S300000 | 3,19,840 |
| 30 | 40 | 22M | 3J22M4S300000 | 4,36,460 |
| 37 | 50 | 25M | 3J25M4A300000 | 5,80,190 |
| 45 | 60 | 25M | 3J25M4S300000 | 6,79,180 |
| 55 | 75 | 28S | 3J28S4S300000 | 8,45,760 |
| 75 | 100 | 28S | 3J28S4B300000 | 10,11,700 |
| 90 | 120 | 28M | 3J28M4H300000 | 10,70,010 |

All motors are with T Box on top.

Frames 112 & 132 can be offered with T Box on RHS on request.

Frames 160 to 280 can be offered with T Box on RHS/LHS on request.

*GST extra as applicable at the time of delivery.

FLP MOTORS : Efficiency Values Complying to IE3 Class

Foot mounted (B3 construction) 3 Phase Squirrel Cage Induction Motor, 415V $\pm 10\%$, 50Hz $\pm 5\%$, Combined Variation $\pm 10\%$, Insulation Class F, with temperature rise limited to Class B, Degree of Protection IP55, Duty S1, Ambient Temperature 45°C, Method of Cooling: Totally Enclosed Fan Cooled, Conforms to IS/IEC:60034-1, IS/IEC 60079-1:2007, IE3 Efficiency Class, Gas Group IIA, IIB.

| 1000 rpm, 6 pole | | | | |
|------------------|------|-------|----------------|-----------|
| kW | HP | Frame | Type Reference | LP39 |
| 0.75 | 1 | 90L | 3J09L6B300000 | 49,250 |
| 1.1 | 1.5 | 90L | 3J09L6E300000 | 53,210 |
| 1.5 | 2 | 100L | 3J10L6B300000 | 72,140 |
| 2.2 | 3 | 112M | 3J11M6B300000 | 85,310 |
| 3.7 | 5 | 132S | 3J13S6C300000 | 1,13,010 |
| 5.5 | 7.5 | 132M | 3J13M6H300000 | 1,36,970 |
| 7.5 | 10 | 160M | 3J16M6B300000 | 2,03,740 |
| 9.3 | 12.5 | 160L | 3J16L6E300000 | 2,11,510 |
| 11 | 15 | 160L | 3J16L6H300000 | 2,66,410 |
| 15 | 20 | 20L | 3J20L63300000 | 3,29,630 |
| 18.5 | 25 | 20L | 3J20L65300000 | 4,10,630 |
| 22 | 30 | 22M | 3J22M62300000 | 4,42,180 |
| 30 | 40 | 25M | 3J25M60300000 | 7,02,280 |
| 37 | 50 | 25M | 3J25M6B300000 | 8,92,510 |
| 45 | 60 | 28S | 3J28S6B300000 | 10,06,470 |
| 55 | 75 | 28M | 3J28M6E300000 | 11,06,220 |

| 750 rpm, 8 pole | | | | |
|-----------------|------|-------|----------------|----------|
| kW | HP | Frame | Type Reference | LP39 |
| 0.37 | 0.5 | 90L | 3J09L85300000 | 60,670 |
| 0.55 | 0.75 | 90L | 3J09L86300000 | 62,300 |
| 0.75 | 1 | 100L | 3J10L83300000 | 79,730 |
| 1.1 | 1.5 | 100L | 3J10L85300000 | 82,650 |
| 1.5 | 2 | 112M | 3J11M83300000 | 93,680 |
| 2.2 | 3 | 132S | 3J13S8B300000 | 1,24,400 |
| 3.7 | 5 | 160M | 3J16M82300000 | 1,95,660 |
| 5.5 | 7.5 | 160M | 3J16M84300000 | 2,32,110 |
| 7.5 | 10 | 160L | 3J16L88300000 | 2,43,300 |

All motors are with T Box on top.

Frames 112 & 132 can be offered with T Box on RHS on request.

Frames 160 to 280 can be offered with T Box on RHS/LHS on request.

*GST extra as applicable at the time of delivery.

CRANE & HOIST DUTY MOTORS

Foot mounted (B3 construction) 3 Phase Squirrel Cage Induction Motors suitable to operate on DOL supply: 415V $\pm 10\%$, 50Hz $\pm 5\%$

Combined Variation $\pm 10\%$, Insulation Class F, Degree of Protection IP55, Ambient Temperature 45°C, Method of Cooling:

Totally Enclosed Fan Cooled, 150 Starts/Stops per hour, Duty S4, CDF 40% conforms to IS/IEC 60034

| 1500 rpm, 4 Pole | | | | |
|------------------|--------|-------|----------------|-----------|
| kW | HP | Frame | Type Reference | LP39 |
| 0.55 | 0.75 | 71 | MC071433 | 14,250 |
| 0.75 | 1.00 | 80 | MC080413 | 15,840 |
| 1.10 | 1.50 | 80 | MC080433 | 15,950 |
| 1.50 | 2.00 | 90S | MC09S433 | 17,640 |
| 2.20 | 3.00 | 90L | MC09L453 | 19,220 |
| 3.70 | 5.00 | 100L | MC10L453 | 27,640 |
| 5.50 | 7.50 | 112M | MC11M453 | 32,360 |
| 7.50 | 10.00 | 132S | MC13S4G3 | 47,580 |
| 9.30 | 12.50 | 132M | MC13M4P3 | 58,510 |
| 11.00 | 15.00 | 160M | MC16M4A3 | 82,020 |
| 15.00 | 20.00 | 160M | MC16M4F3 | 88,200 |
| 18.50 | 25.00 | 160L | MC16L4P3 | 1,03,930 |
| 22.00 | 30.00 | 180L | MC18L473 | 1,51,040 |
| 30.00 | 40.00 | 200L | MC20L433 | 2,20,860 |
| 37.00 | 50.00 | 225S | MC22S413 | 2,62,710 |
| 45.00 | 60.00 | 225M | MC22M433 | 3,25,830 |
| 55.00 | 75.00 | 250M | MC25M413 | 4,29,990 |
| 75.00 | 100.00 | 280S | MC28S413 | 5,30,000 |
| 90.00 | 120.00 | 280M | MC28M433 | 5,91,280 |
| 110.00 | 150.00 | 315S | MC31S413 | 7,96,670 |
| 132.00 | 160.00 | 315M | MC31M433 | 8,82,210 |
| 160.00 | 215.00 | 315L | MC31L453 | 10,56,370 |
| 180.00 | 250.00 | 315L | MC31L463 | 11,14,030 |
| 200.00 | 270.00 | 315L | MC31L473 | 12,47,860 |

| 1000 rpm, 6 Pole | | | | |
|------------------|--------|-------|----------------|-----------|
| kW | HP | Frame | Type Reference | LP39 |
| 0.37 | 0.50 | 71 | MC071633 | 15,890 |
| 0.55 | 0.75 | 80 | MC080613 | 17,110 |
| 0.75 | 1.00 | 80 | MC080633 | 17,290 |
| 1.10 | 1.50 | 90L | MC09L6A3 | 19,300 |
| 1.50 | 2.00 | 90L | MC09L653 | 21,410 |
| 2.20 | 3.00 | 100L | MC10L653 | 28,260 |
| 3.70 | 5.00 | 112M | MC11M653 | 34,630 |
| 5.50 | 7.50 | 132S | MC13S6G3 | 49,570 |
| 7.50 | 10.00 | 132M | MC13M6T3 | 58,080 |
| 9.30 | 12.50 | 160M | MC16M633 | 87,590 |
| 11.00 | 15.00 | 160L | MC16L663 | 1,03,160 |
| 13.00 | 17.50 | 160L | MC16L673 | 1,08,820 |
| 17.00 | 23.00 | 180L | MC18L633 | 1,57,430 |
| 22.00 | 30.00 | 200L | MC20L633 | 2,04,370 |
| 30.00 | 40.00 | 225M | MC22M623 | 2,84,510 |
| 37.00 | 50.00 | 250M | MC25M603 | 4,30,180 |
| 45.00 | 60.00 | 280S | MC28S613 | 5,48,120 |
| 52.00 | 70.00 | 280M | MC28M633 | 6,21,810 |
| 70.00 | 95.00 | 315S | MC31S613 | 7,63,820 |
| 85.00 | 115.00 | 315M | MC31M633 | 9,60,950 |
| 102.00 | 135.00 | 315M | MC31M653 | 10,70,450 |
| 125.00 | 167.00 | 315L | MC31L673 | 12,43,620 |
| 150.00 | 200.00 | 315L | MC31L693 | 12,94,520 |

| 750rpm, 8 Pole | | | | |
|----------------|--------|-------|----------------|-----------|
| kW | HP | Frame | Type Reference | LP39 |
| 0.55 | 0.75 | 90S | MC09S813 | 19,900 |
| 0.75 | 1.00 | 90L | MC09L853 | 20,330 |
| 1.10 | 1.50 | 100L | MC10L813 | 23,800 |
| 1.50 | 2.00 | 100L | MC10L833 | 28,990 |
| 2.20 | 3.00 | 112M | MC11M833 | 44,510 |
| 3.70 | 5.00 | 132S | MC13S8G3 | 70,090 |
| 5.50 | 7.50 | 160M | MC16M833 | 88,200 |
| 7.50 | 10.00 | 160L | MC16L873 | 1,17,410 |
| 9.30 | 12.50 | 180M | MC18M813 | 1,40,460 |
| 11.00 | 15.00 | 180L | MC18L833 | 1,57,830 |
| 15.00 | 20.00 | 200L | MC20L833 | 2,22,350 |
| 18.50 | 25.00 | 225S | MC22S813 | 2,69,690 |
| 22.00 | 30.00 | 225M | MC22M833 | 3,25,530 |
| 30.00 | 40.00 | 250M | MC25M813 | 4,37,750 |
| 37.00 | 50.00 | 280S | MC28S823 | 5,59,480 |
| 45.00 | 60.00 | 280M | MC28M853 | 6,49,080 |
| 55.00 | 75.00 | 315S | MC31S813 | 7,76,970 |
| 75.00 | 100.00 | 315M | MC31M833 | 9,77,540 |
| 90.00 | 120.00 | 315M | MC31M853 | 10,98,290 |
| 110.00 | 150.00 | 315L | MC31L873 | 11,59,720 |
| 132.00 | 180.00 | 315L | MC31L893 | 13,58,220 |



Frames 71-132 are with Aluminium body with T Box on Top.

Frame 160 is with Cast Iron Body with T Box on Top.

Frames 180 -225 are with Cast Iron body with T Box on RHS.
(TOP/LHS T Box can be offered on request)

Frames 250 and above are with Cast Iron body with T Box on top.
(RHS / LHS T Box can be offered on request)

Frames 90-132 can also be offered with Cast Iron body with T Box on Top, RHS or LHS can be offered on request.

CRANE DUTY SLIP RING MOTORS

B3 construction, 3 Phase Slipring Induction Motor, 415V \pm 10%, 50Hz \pm 5% Combined Variation \pm 10%,
 Insulation for Stator/Rotor: class F/F, Degree of Protection IP55, Ambient Temperature 45°C, Method of Cooling:
 Totally Enclosed Fan Cooled, Duty S4, CDF 40%, 60 Starts / Stops per hour conforms to IS/IEC 60034

| 1000 rpm, 6 Pole | | | | |
|------------------|-------|-------|----------------|----------|
| kW | HP | Frame | Type Reference | LP39 |
| 1.10 | 1.50 | 100L | MP10L61300000 | 76,130 |
| 1.50 | 2.00 | 100L | MP10L62300000 | 80,430 |
| 2.40 | 3.20 | 112M | MP11M62300000 | 86,120 |
| 3.30 | 4.40 | 112M | MP11M64300000 | 95,990 |
| 4.00 | 5.30 | 132M | MP13M61300000 | 99,500 |
| 5.50 | 7.50 | 132M | MP13M66300000 | 1,16,100 |
| 7.00 | 9.40 | 160L | MP16L61300000 | 1,44,860 |
| 10.00 | 13.40 | 160L | MP16L65300000 | 1,88,070 |

Note:

1. This LP39 Rev.01 supercedes all our earlier Price Lists.
2. Prices mentioned are maximum recommended selling prices and are subject to change without notice.
3. Prices are exclusive of GST; GST will be extra as prevailing at the time of dispatch.
4. KW and HP are indicated, kW is binding and HP is approximate.
5. Product upgradation is a continuous process, hence data in this price list is subject to change without prior notice.

For latest information please contact our Sales Office.

Cash Extra Price Calculations:

- a) Wherever cash extras are in percentage please add to the list price and then apply discount.
- b) Where cash extras are in absolute values please add them to the discounted net price i.e. after applying the discount.

(No discount applicable on absolute values)

*GST extra as applicable at the time of delivery.



CASH EXTRAS FOR ADDITIONAL FEATURES

| Sr. No. | FEATURES | Cash Extras / Percentage Extra |
|-------------|--|--------------------------------|
| 1.00 | MECHANICAL FEATURES | |
| | Construction (Mounting Position) | |
| 1.01 | (a) B3, B6, B7, B8, V5 and V6 | Nil |
| | (b) Standard Flange / Face mounting (B5, V1, V18, V19, B14 : B14 is till 132 frame) | |
| | (i) 63 to 160 Frame | 3% |
| | (ii) 180 Frame and above | 5% |
| | (c) Foot cum Flange / Face mounting (B35 / B34: B34 is till 132 frame) | |
| | (i) 63 to 160 Frame | 3% |
| | (ii) 180 Frame and above | 5% |
| 1.02 | Canopy | |
| (a) | Top plate cowl for V1 construction | 5% Subject to max. Rs. 5,000/- |
| (b) | FRP Canopy For Safe Area: 90 and above For Flameproof: 160 and above (for other frames: Refer Sales office) | 5% subject to max. Rs. 9,000/- |
| 1.03 | Shaft Extension / Material | |
| (a) | Single / double non std shaft, if dia or extn is less than or equal to standard | 5% |
| (b) | Single / double non standard shaft extension with length restricted to 2.5 times standard | 10% |
| (c) | Any other Diameter / Extension | Refer to Sales Office |
| (d) | EN19, EN24 / EN57 material, 45C8 | 10% |
| (e) | Stainless Steel Shaft material (SS304, SS316, SS410, SS416) | 15% |
| (f) | Other material (if any) | Refer to Sales Office |
| 1.04 | Water Flingers: Rubber Material | |
| (i) | Frame 132 to 180 | 850/- |
| (ii) | Frame 200 & 225 | 1,000/- |
| (iii) | Frame 250 | 2,750/- |
| | Water Flinger of other than rubber material | Refer to Sales Office |

CASH EXTRAS FOR ADDITIONAL FEATURES

| Sr. No. | FEATURES | Cash Extras / Percentage Extra | | |
|---------|---|---|-------------|-------------------|
| 1.05 | Painting | | | |
| | (a) Paint Type | | | |
| | (i) For Safe Area Motors: Other than Acrylic Paint | 5% (subjected to max Rs. 5,000/-) (if safe area motor is required with AAP, then standard shade will be 632) | | |
| | (ii) For Hazardous Area Motors (Ex'd', Ex 'nA'): Other than Acid Alkali Proof Paint | 5% (subjected to max Rs. 5,000/-) (hazardous area motors are offered with Acid Alkali Proof paint as standard feature) | | |
| | <i>(Epoxy gel coat on winding overhang and SS nameplate is standard feature for Hazardous Area Motors i.e. Ex'd', Ex 'nA' motors)</i> | | | |
| | (b) Paint Shade | | | |
| | (i) For Safe Area Motors: Other than RAL 5000 | 5% (subjected to max Rs. 7,000/-) | | |
| | (ii) For Hazardous Area Motors (Ex'd', Ex 'nA'): Other than 632 shade | 5% (subjected to max Rs. 7,000/-) | | |
| | (c) Paint Thickness (for AAP type paint) | | | |
| | (i) For Additional paint thickness, more than 70 micron and upto 120 micron | Nil | | |
| | (ii) For additional paint thickness, more than 121 micron and upto 170 micron | 7% | | |
| | (iii) For additional paint thickness, more than 171 micron and upto 220 micron | 10% | | |
| | (iv) For additional paint thickness, more than 221 micron and upto 270 micron | 15% | | |
| 1.06 | Ingress Protection: IP | | | |
| | (i) IP56 / IP65 / IP66 | 5% | | |
| 1.07 | Non Sparking Motors (Type 'nA') | 7.5% For the selected frame | | |
| 1.08 | Impregnation Schemes | Fr. 63-225 | Fr. 250-280 | Fr. 315 and Above |
| | (a) Inverter Grade Winding | 8% | 8% | Nil |
| | (b) Only VPI | 5% | 5% | Nil |
| | (c) Motors for Inverter Duty: 500 to 690 V (Scheme III Insulation) | 10% | | |
| 1.09 | Forced Cooling (Fan with motor and Cowl) | | | |
| | (a) Frame 132, 160 | 25% With max of Rs. 6,500/- | | |
| | (b) Frame 180 to 200 | 22% With max of Rs. 16,000/- | | |
| | (c) Frame 225 | 12% With max of Rs. 26,000/- | | |
| | (d) Frame 250 | 12% With max of Rs. 26,000/- | | |
| | (e) Frame 280 | 12% With max of Rs. 30,000/- | | |
| | (f) Frame 315 | 12% With max of Rs. 35,000/- | | |
| | (g) Frame 355 | 12% With max of Rs. 42,000/- | | |
| | (h) Frame 400 | 12% With max of Rs. 52,000/- | | |
| 1.10 | Provision for Encoder Mounting | 5% ; Minimum Rs. 3000/- ; Maximum Rs. 7,500/- | | |

CASH EXTRAS FOR ADDITIONAL FEATURES

| Sr. No. | FEATURES | Cash Extras / Percentage Extra | |
|------------|--|--|------------|
| 1.11 | Space Heater: safe area and hazardous area motors Note: Space Heater is a Standard feature for DCCA Motors | | |
| | (a) Frame 90 to 160...safe area | With max of Rs. 2,000/- | |
| | (b) Frame 180...for safe area | With max of Rs. 3,250/- | |
| | (c) Frame 200 to 280...for safe area | With max of Rs. 3,800/- | |
| | (d) Frame 315 and 355...for safe area | With max of Rs. 4,200/- | |
| | (e) Cash Extras for PESO Approved Space Heaters | 71, 80 | : Rs. 2450 |
| | | 90, 100 & 112 | : Rs. 3260 |
| | | 132 | : Rs. 3480 |
| 160 to 200 | | : Rs. 3870 | |
| 225 to 280 | | : Rs. 5330 | |
| | 315 & 355 | : Rs. 7310 | |
| 1.12 | Sealing Box for FLP Motors (Mandatorily to be considered for applications in Oil Mines and Coal Mines) | | |
| | (a) Frame 90 to 132 | Rs. 1,650/- | |
| | (b) Frame 160 and above | Rs. 2,200/- | |
| 1.13 | Cable Glands: For Safe and Hazardous Area Motors | Per Gland | |
| | Double Compression Gland | | |
| | (a) Frame 56 to 80 (Star connected) | Safe Area: Rs. 1,300/- Hazardous Area (80 frame): Rs. 1,300/- (Only single run can be given in these frames) | |
| | (b) Frame 90 to 132 | Safe Area: (2Run) Rs. 1,300/- per gland Hazardous Area: (1Run) Rs. 1,500/- per gland | |
| | (c) Frame 160 to 225 - DOL (2Runs) | Safe Area: Rs. 2,400/- Hazardous Area: Rs. 2,800/- | |
| | (d) Frame 250 to 315 - DOL (2Runs) | Safe Area: Rs. 3,800/- Hazardous Area: Rs. 4,800/- | |
| | (e) Frame 355 to 450: DOL (2Runs) | Safe Area only: Rs. 4,500/- | |
| 1.14 | Provision for fitment of external brake On NDE side (e.g. EMCO): Providing Brake mounting arrangement only (without brake) | 15% Upto frame 200 | |
| 1.15 | Low Vibration -IS 12075:2008 / IEC 60034-14:2007 | | |
| | (a) Reduced Vibration | 10% | |
| | (b) Special Vibration | 20% | |

CASH EXTRAS FOR ADDITIONAL FEATURES

| Sr. No. | FEATURES | Cash Extras / Percentage Extra |
|--------------------------|---|---|
| 1.16 | Bearings | (Online Greasing Arrangement is standard feature in motors where Roller bearings are used) |
| | (a) Roller Bearing at DE Side in place of ball bearing | |
| | (i) Frame 112 & 132 (pre-greased, no OLGA provided) | Rs. 1,800/- |
| | (ii) Frame 160, 180 | Rs. 1,800/- |
| | (iii) Frame 200 | Rs. 3,500/- |
| | (iv) Frame 225 to 250 | Rs. 5,000/- |
| | (v) Frame 280 to 315 | Rs. 7,000/- |
| | (vi) Frame 355 | Rs. 14,000/- |
| | (vii) Frame 400 | Rs. 21,000/- |
| | (viii) Frame 450 | Rs. 31,000/- |
| | (b) Hybrid Bearing | |
| | (i) NDE - Frame 132 | Rs. 13,000/- |
| | (ii) NDE - Frame 160-180 | Rs. 15,700/- |
| | (iii) NDE - Frame 200-225 | Rs. 17,500/- |
| | (c) Insulated Bearings | |
| | (i) NDE - Frame 250, 280, 315 | Rs. 33,600/- |
| | (ii) NDE - Frame 355, 400 | Rs. 47,000/- |
| (iii) NDE - Frame 450 | Rs. 85,000/- | |
| 1.17 | Other Miscellaneous Features | |
| | (a) One size Higher T Box | (for fr 132 & 160: 4%); for all other frames it is 2% |
| | (b) Cast Iron T Box | 2% |
| | (c) C I Fan (where plastic fan is standard) | 2% |
| | (d) S.S. Hardware (only for safe area motors) | 2% with maximum Rs. 4,000/- |
| | (e) Seaworthy / export packing case for home market (Without fumigation certificate) | 5% subject to Rs. 6000/- |
| | (f) Longer Flying leads (length not exceeding 1.5mtr) | 2.5% subject to max. Rs. 5,000/- |
| | (g) Longer Flying leads (length exceeding 1.5mtr and less than 3m) | 3% subject to max. Rs. 7,500/- |
| | (h) Extra Name Plate / Tag Plate | Rs. 400/- |
| 1.18 | Miscellaneous Mechanical Features: | |
| | (a) Direction Arrow Plate | Rs. 400/- |
| | (b) Spreader box (frames 180-315 Frame) for safe area Motors | 2% |
| | (c) On Line Greasing Arrangement | For Safe Area: Frame 160 to 200: Rs. 1,250/- For FLP & Ex'nA': Frame 180 to 200: Rs. 1,250/- |
| | (d) SPM Nipples provision: for safe area motors (for 250 frame onwards) | 2% subject to Rs. 5,000/- |
| | (e) High Temperature Grease (Molykote HP 300) (For other grade High Temperature Grease, refer to Sales Office) | Fr 63 to 100: Rs. 800/- |
| | | Fr 112 to 160: Rs. 1,600/- |
| | | Fr 180 to 280: Rs. 11,000/- |
| (f) 3, 4 cable Run T Box | Fr 315 to 355: Rs. 19,000/- Fr 400 to 450: Rs. 49,000/- 5% For 355 Frame and above | |
| 1.19 | Motor with Fabricated body | 15% |

CASH EXTRAS FOR ADDITIONAL FEATURES

| Sr. No. | FEATURES | Cash Extras / Percentage Extra |
|---------|--|--|
| 1.20 | Flameproof Motors with ATEX, IECEX approval | 10% over LP of FLP motor of respective efficiency level. |
| 1.21 | Cash Extra for Atex Approved Space Heaters | 112 & 132 : Rs. 5380/- |
| | Cash Extra for Atex Approved Thermistors (3Nos.) | 160 & 225 : Rs. 6110/- |
| 1.22 | Motors suitable for Zone 21 / Zone 22 | Rs. 3800/- |
| 1.22 | Motors suitable for Zone 21 / Zone 22 | Refer Sales Office |

CASH EXTRAS FOR ADDITIONAL FEATURES

| Sr. No. | FEATURES | Cash Extras / Percentage Extra |
|-------------|--|---|
| 2.00 | ELECTRICAL FEATURES | |
| 2.01 | Base voltage between 250 -550 V | |
| (a) | 415 V, 50 Hz | Nil |
| (b) | Non Standard Voltage 220 / 550 V, 50Hz / 60Hz | 5% |
| (c) | Dual voltage with 1:2 ratio example 220/440V | 5% |
| 2.02 | Insulation Class 'H' (DC wire and VPI is standard feature for motors with H class insulation) | 10% |
| 2.03 | Thermistors / Thermostats (90 Frame onwards) | |
| (a) | Set of 3 nos PTC Thermistors without controller | Rs. 2,400/- |
| (b) | Set of 6 nos PTC Thermistors without controller | Rs. 4,800/- |
| (c) | Thermostats per unit | Rs. 600/- |
| 2.04 | Multispeed Motors (safe area only) | |
| (a) | Single tapped winding upto 8 pole | 10% over IE2 safe area |
| (b) | Dual speed with separate winding or polarity above 8 pole | 17.5% over IE2 safe area |
| (c) | Motors single speed with 10, 12, 16 Poles | 15% over IE2 safe area |
| 2.05 | Intermittent Duty Motors (for motors other than standard MC series) | 10% |
| 2.06 | RTD: (safe area only) | |
| (a) | RTD (Simplex: 3 nos: 1 per phase): for safe area 250 frame and above; | Rs. 6000/- |
| (b) | However it is a standard for DCCA motors. | |
| (c) | RTD (Simplex: 6 nos: 2 per phase): for safe area motors | Rs. 10,000/- 250 frame onwards (Not for hazardous area motors) |
| | RTD (Duplex: 3 Nos: 1 per phase): for safe area motors | Rs. 12,000/- 250 frame onwards (Not for hazardous area motors) |
| | RTD (Duplex: 6Nos: 2 per phase): for safe area motors | Rs. 24,000/- 250 frame onwards (Not for hazardous area motors) |
| 2.07 | BTD (safe area only) | |
| (a) | BTD: Simplex: 2 nos for safe area 250 frame and above; However it is a | Rs. 7,000/- |
| (b) | standard feature for DCCA motors. | |
| (c) | BTD: Duplex: 2 nos for safe area Frame 250 and above | Rs. 9,000/- Frame 250 onwards (Not for hazardous area motors). |
| 3.00 | OTHER CHARGES | |
| 3.01 | Routine Testing | |
| (a) | Frame 63 to 132 | Rs. 2,200/- |
| (b) | Frame 160 to 225 | Rs. 3,500/- |
| (c) | Frame 250 and above | Rs. 5,000/- |

CASH EXTRAS FOR ADDITIONAL FEATURES

| Sr. No. | FEATURES | Cash Extras / Percentage Extra |
|-------------|---|---|
| 3.02 | TYPE Test | |
| | (a) Frame 63 to 132 | Rs. 5,500/- |
| | (b) Frame 160 to 225 | Rs. 10,000/- |
| | (c) Frame 250 to 315 | Rs. 14,000/- |
| | (d) Frame 355 and above | Rs. 16,000/- |
| 3.03 | Combined Testing for both Safe and Hazardous Area Motors in presence of approved test house | |
| | (a) Frame 63 to 132 | Rs. 1,60,000/- |
| | (b) Frame 160 - 225 | Rs. 1,75,000/- |
| | (c) Frame 250 - 315 | Rs. 1,80,000/- |
| | (d) Frame 355 and above | Rs. 2,00,000/- |
| | (e) Motor testing with Inverter Drive (Safe Area) | Rs. 60,000/- With BBL certification only. |
| 3.04 | Noise and Vibration Test | |
| | (a) Frame 63 to 132 | Rs. 750/- |
| | (b) Frame 160 to 225 | Rs. 800/- |
| | (c) Frame 250 and above | Rs. 1,000/- |
| 3.05 | (a) Shaft UT Test (per unit) | Rs. 2,500/- Minimum charge for this test will be for Rs. 7500/- i.e it is for min 3 nos shafts; For any quantity more than 3 nos the said charge will apply. |
| | (b) Shaft DP or LPT Test (per unit) | Rs. 5,000/- Minimum charge for this test will be for Rs. 10000/- i.e it is for min 2 nos shafts; For any quantity more than 2 nos the said charge will apply. |
| 3.06 | Body DP or LPT Test | Rs.7,000/- Minimum charge for this test will be for Rs. 14000/- i.e it is for min 2 nos; For any quantity more than 2 nos the said charge per motor will apply. |
| 3.07 | Documentation Charges (Technical/Commercial) | Per Rating |
| | (a) Documents for approval / submission | Rs. 1,600/- |
| | (b) Reproducible tracing copies for final submission | Rs. 5,800/- |
| | (c) Marine Motors' documentation | Rs. 15,000/- |
| 3.08 | Longer Core length | 10% |

Cash Extra Price Calculations.

a) Wherever cash extras are in percentage please add to the list price and then apply discount.

b) Where cash extras are in absolute values please add them to the discounted net price i.e. after applying the discount.

(No discount applicable on absolute values)

*GST extra as applicable at the time of delivery.

ALL INDIA SERVICE NETWORK

- Regional Offices
- 🏭 Works
- Authorised Service Centre: Motors
- ✂ Service Centre: Servo Motors



REGIONAL OFFICES

- Mumbai** T: +91 22 6145 7200
- Pune** T: 7410011272 / 7410011271
- Ahmedabad** T: +91 79 6604 9200
- New Delhi** T: +91 11 2581 6931 / 6932 / 6933
- Indore** T: +91 731 2524 474 / 2514 486
- Ludhiana** T: +91 161 2775 692 / 93
- Jaipur** T: +91 141 2377 223
- Kolkata** T: +91 33 2443 2368 / 2382 / 2383
- Bengaluru** T: +91 80 2559 2646 / 2137 / 2681
- Chennai** T: +91 44 2815 4794 / 4793
- Secunderabad** T: +91 40 2780 1791 / 2781 4512
- Coimbatore** T: +91 422 4204314

For any enquiries please write to motorlvsales@bharatbijlee.com

BB ServiceLINE™
Customer Service Helpdesk for Industrial Systems

+91 22 - 2763 7290 | serviceline@bharatbijlee.com



REGISTERED OFFICE
Electric Mansion, 6th Floor,
Appasaheb Marathe Marg,
Prabhadevi, Mumbai 400 025
T: +91 22 2430 6237 / 6375
E: info@bharatbijlee.com
CIN: L31300MH1946PLC005017

WORKS
No. 2, MIDC Thane-Belapur Road, Airoli,
Navi Mumbai 400 708
T: +91 22 2763 7200 / +91 22 2760 0401

www.bharatbijlee.com

Product improvement is a continuous process and technical information herein is subject to change.